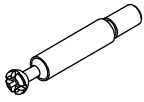
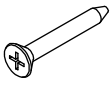
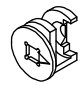
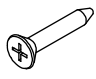
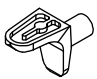

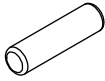
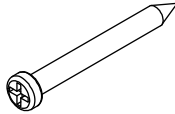
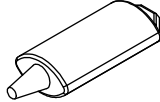

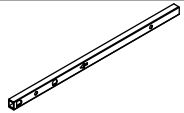
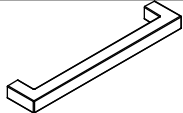
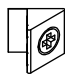
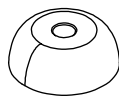

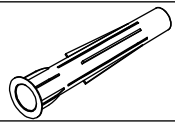
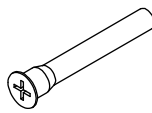
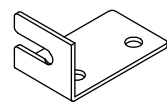
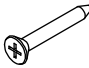
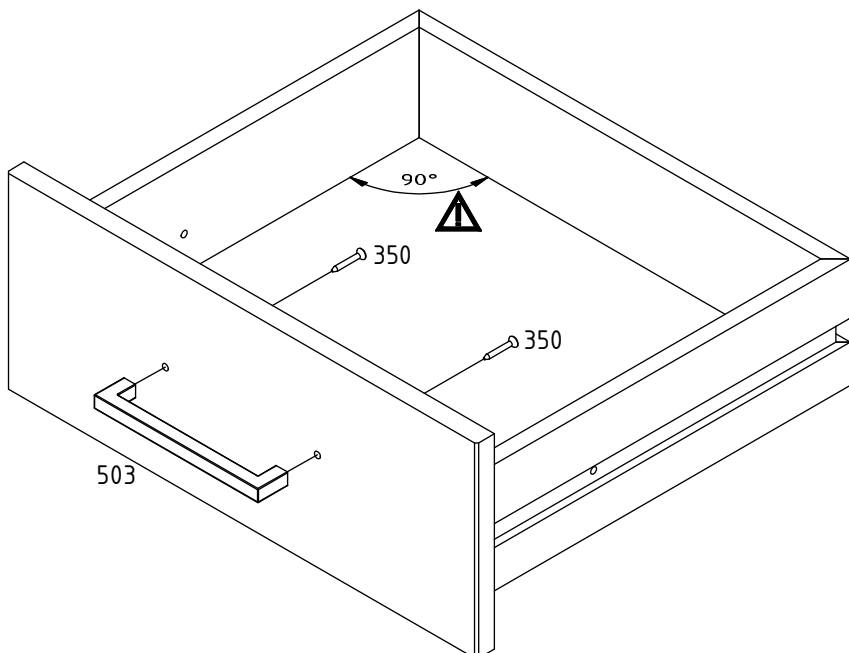
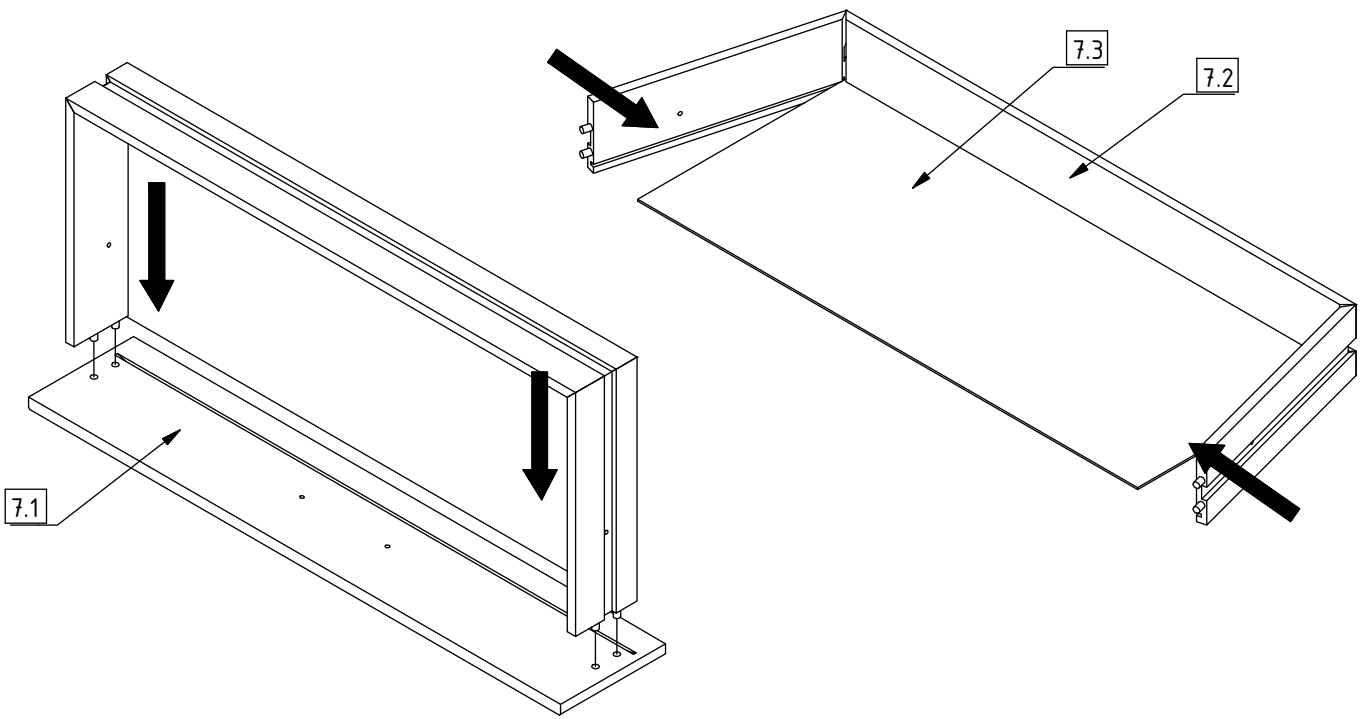
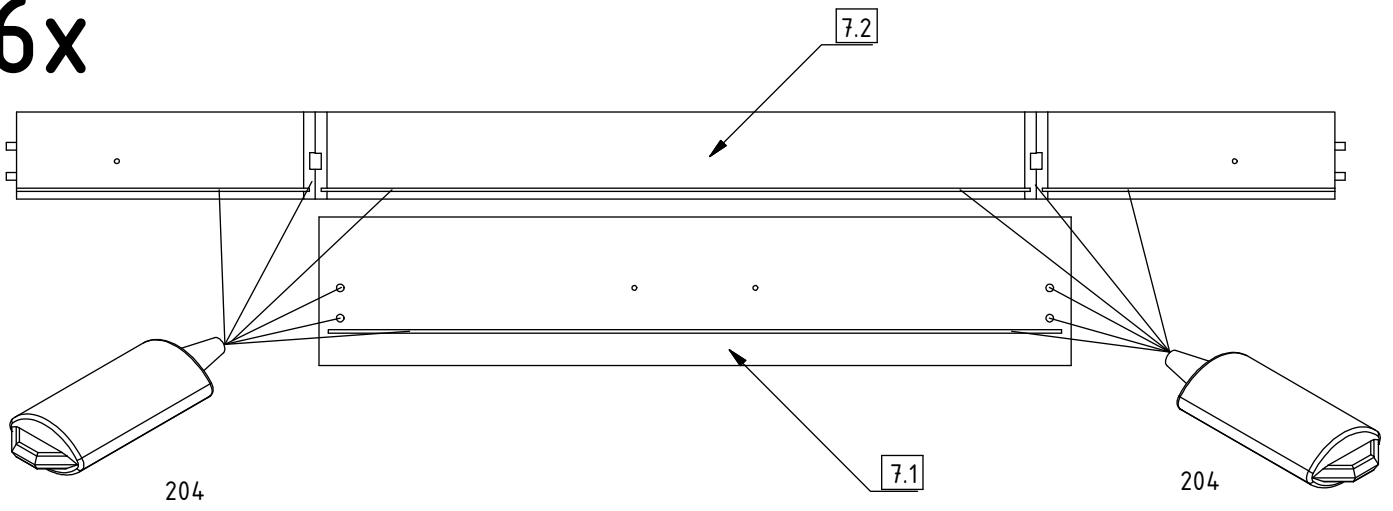
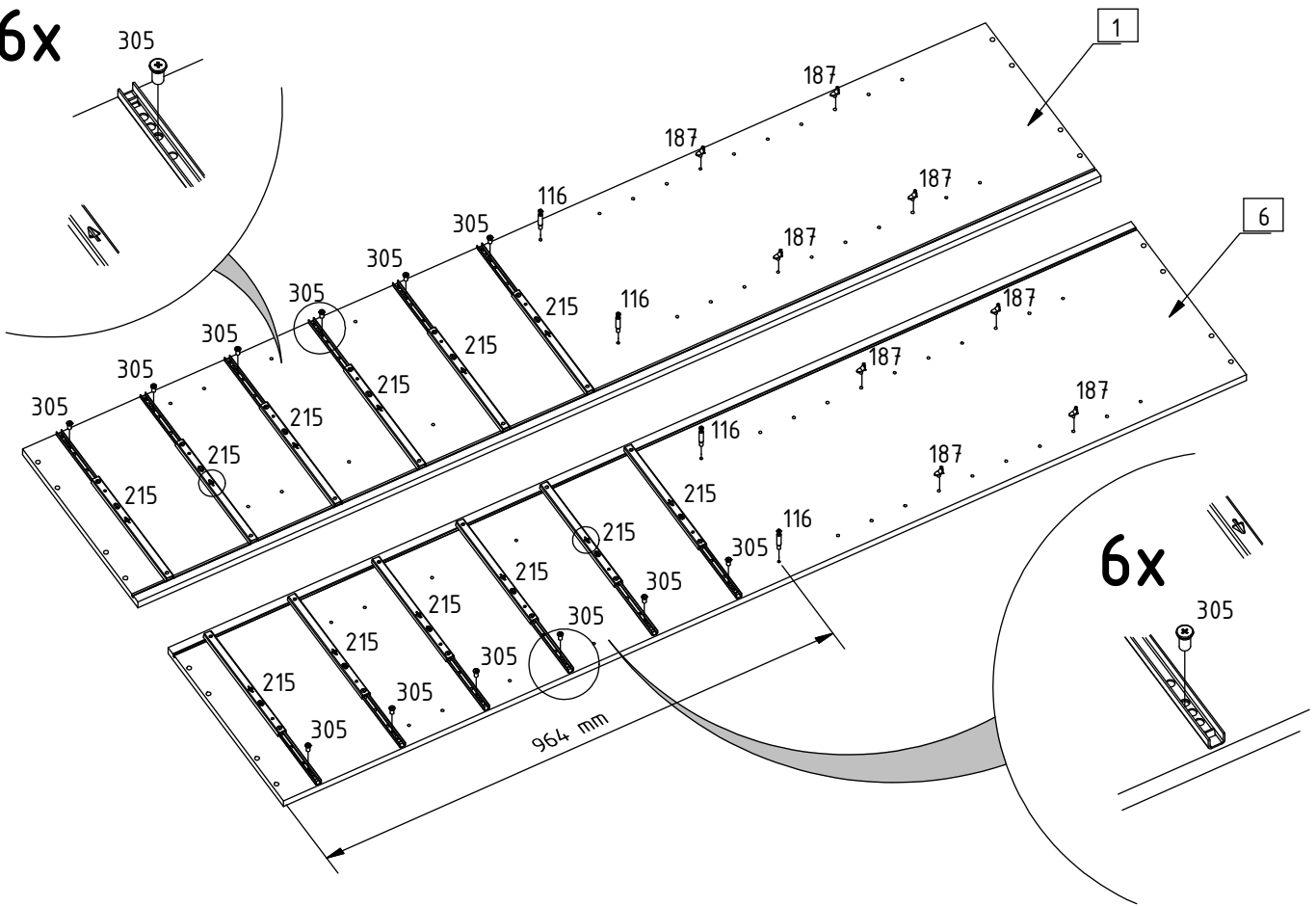


116	4			350	12		4,0 x 25mm
120	4			352	4		4,0 x 20mm
187	8			370	2		4,0 x 15mm
190	8		Ø 8 x 30mm	371	1		6 x 60 mm
204	6			408	12		M4 x 9mm
215	12			503	6		
220	10			737	4		
305	24		6,3 x 9mm	741	1		
320	8		6 x 50mm	742	1		
349	2		3,5 x 25mm				

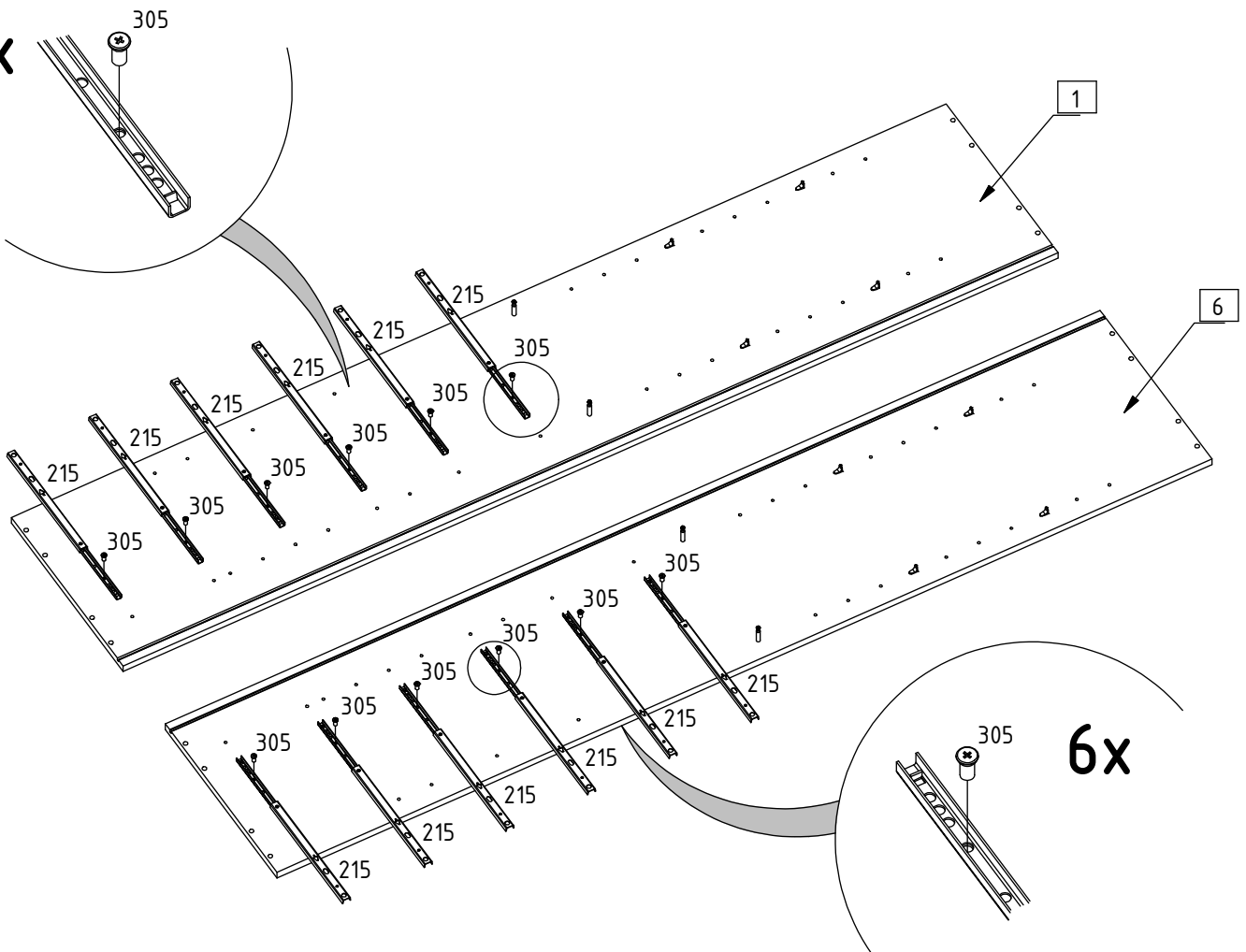
6x

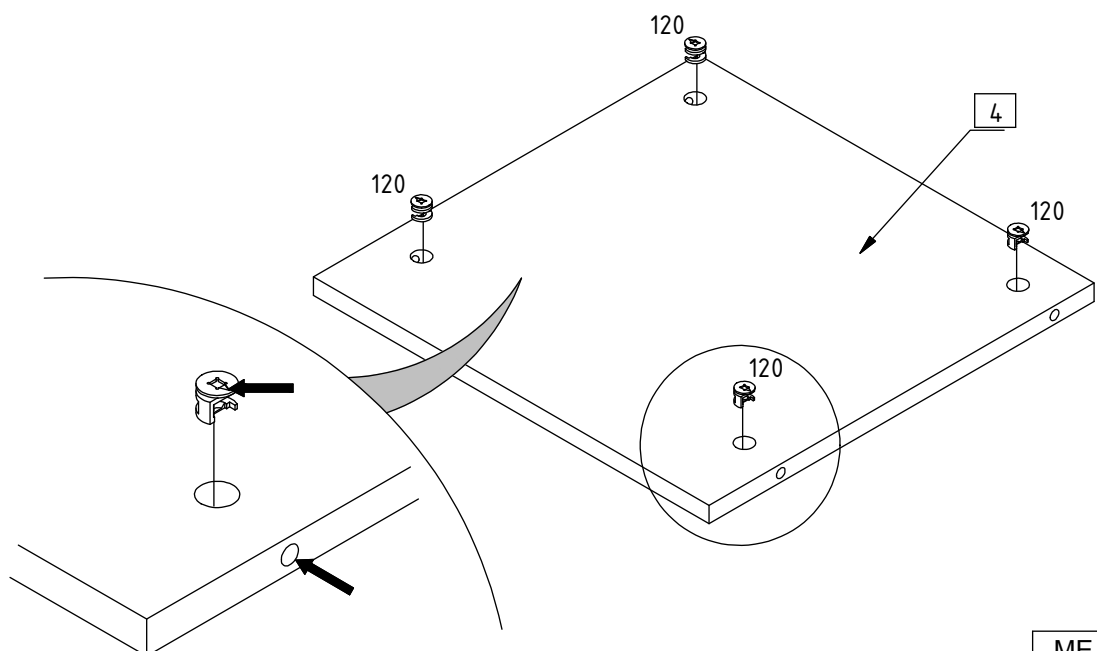
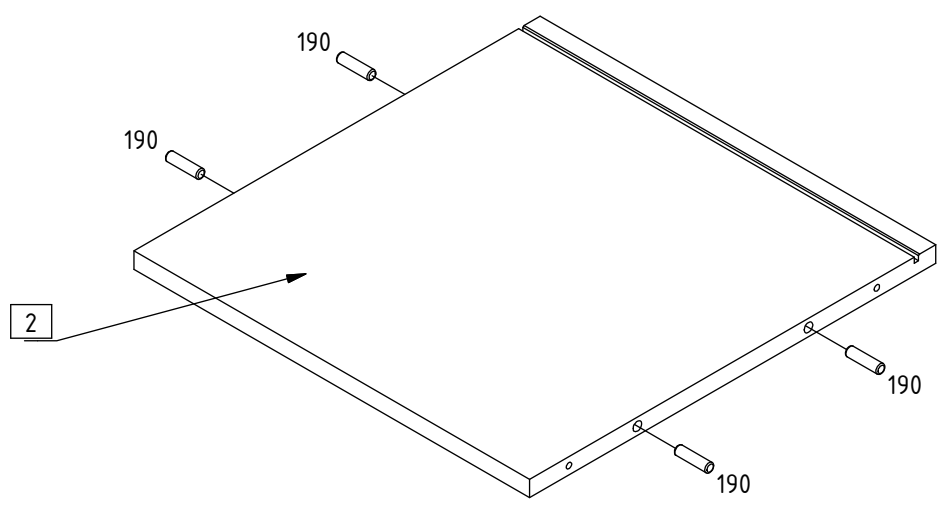
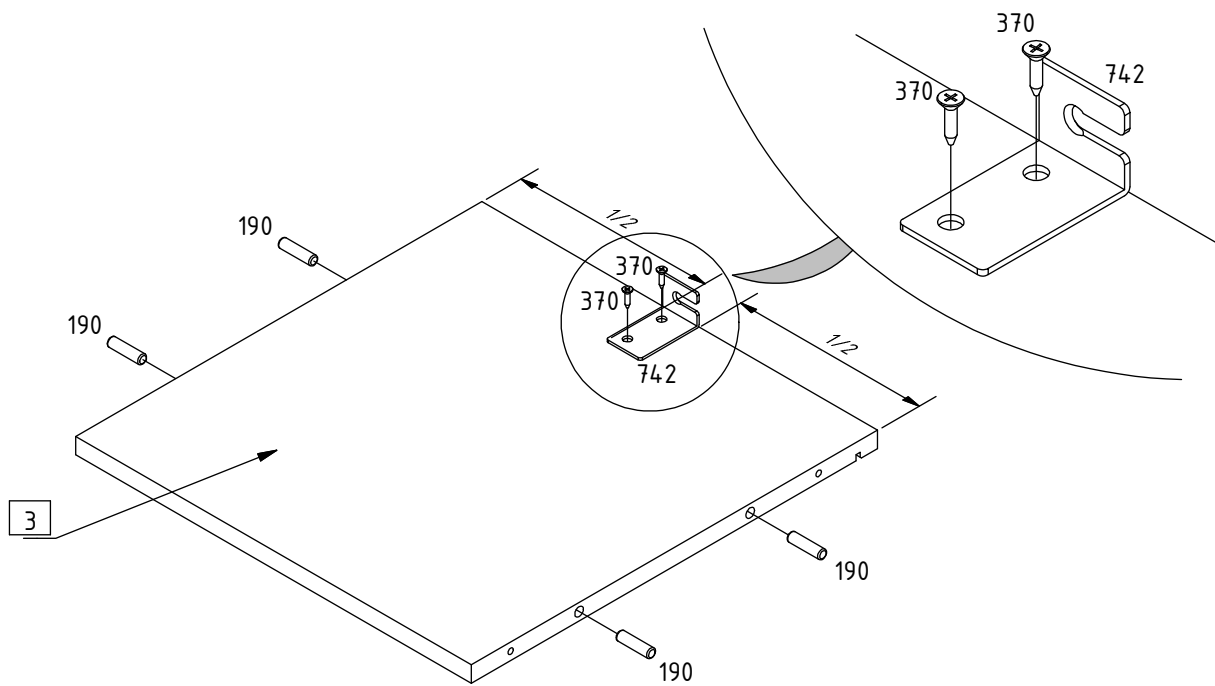


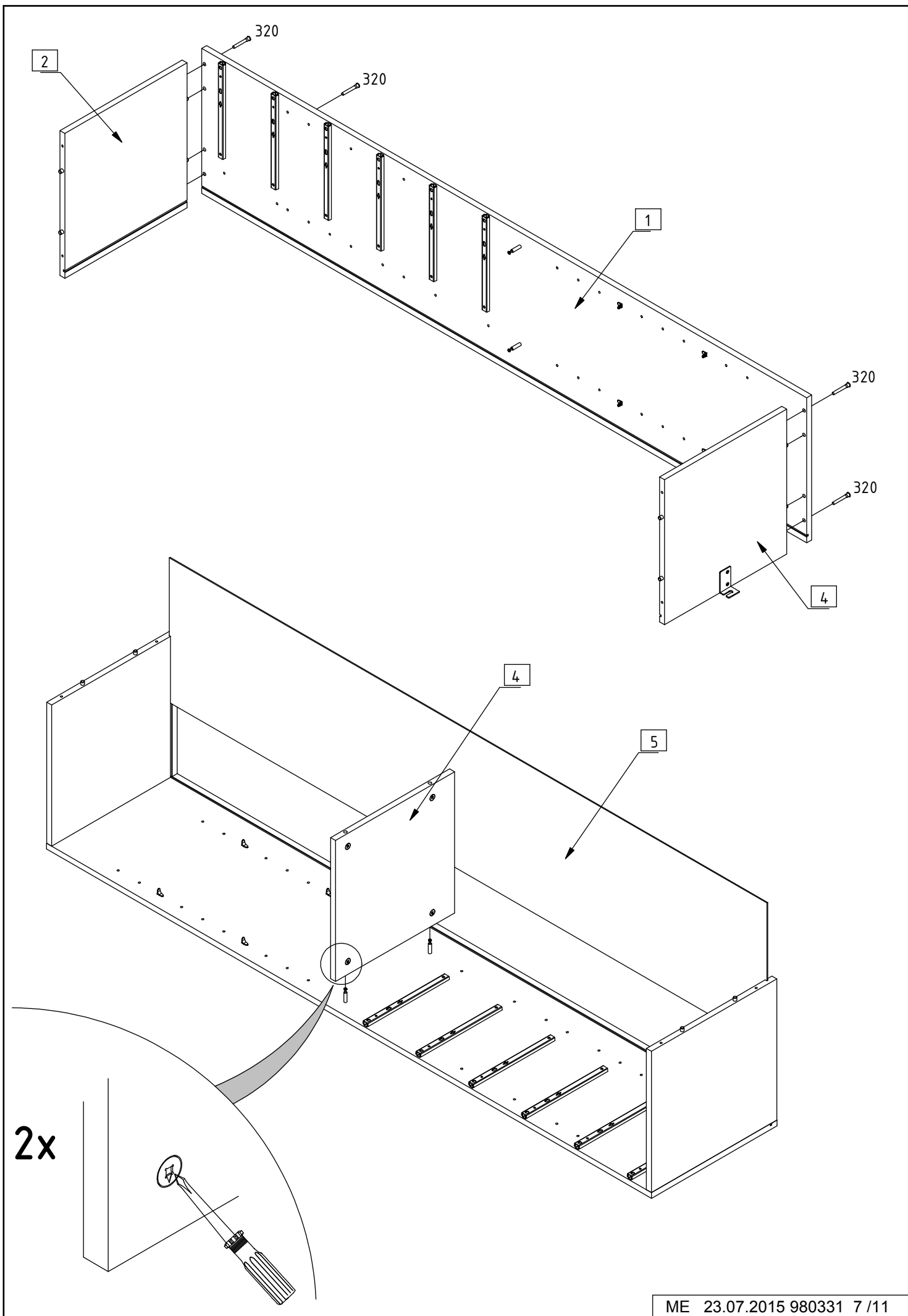
6x

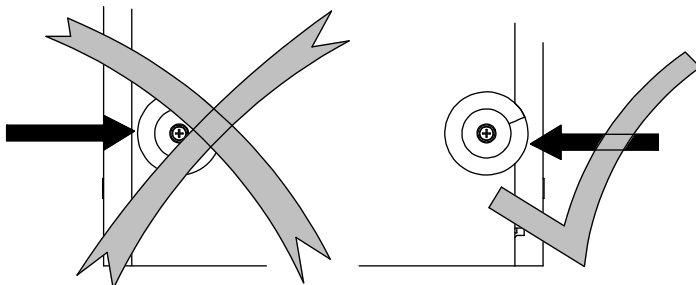
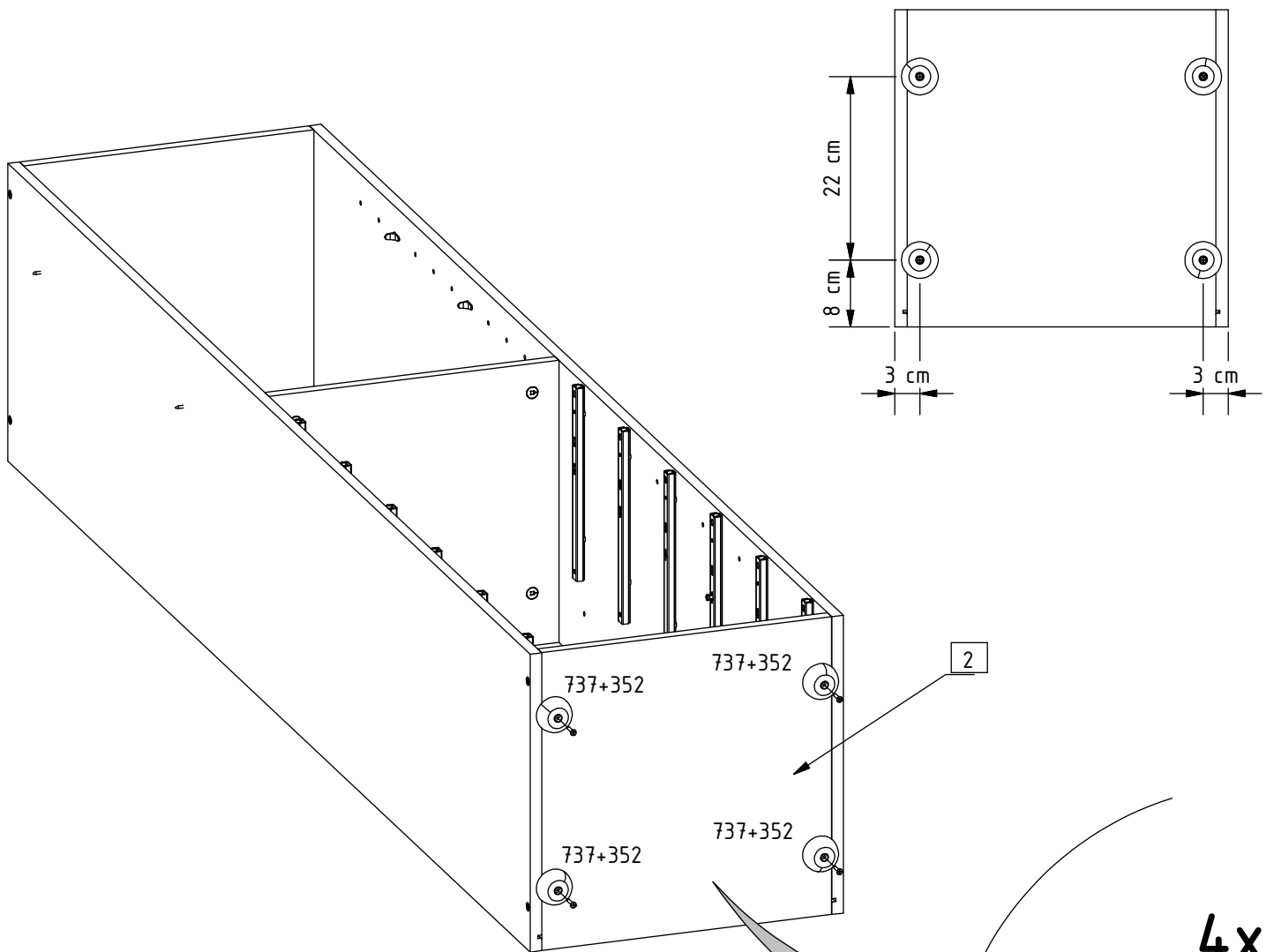
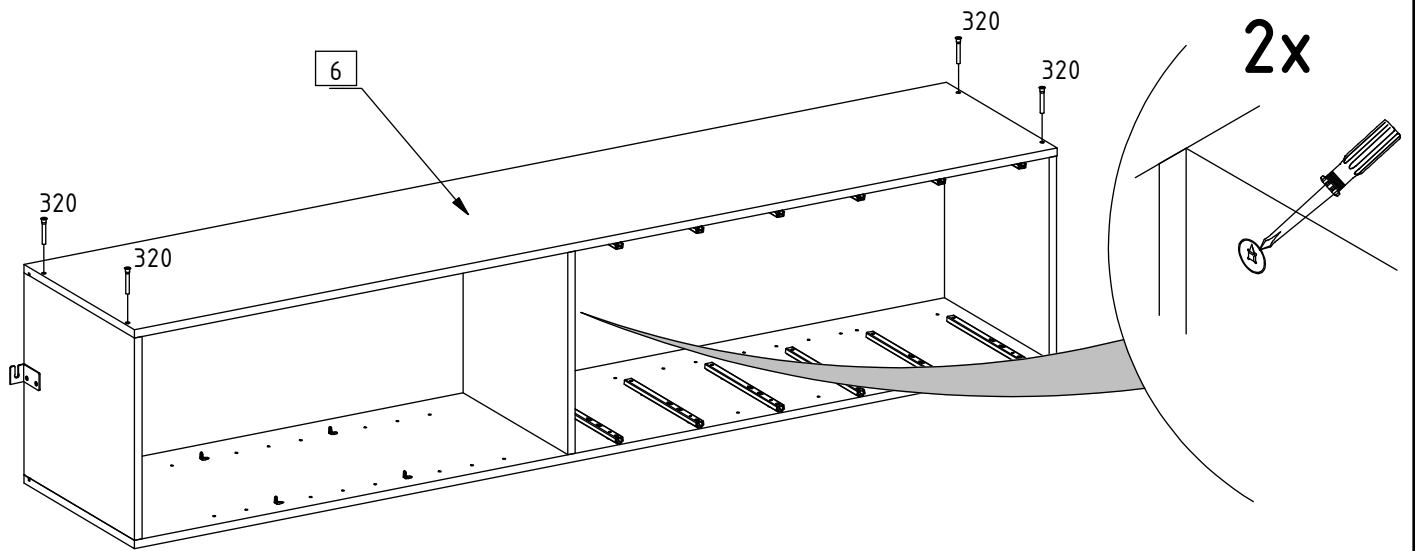


6x

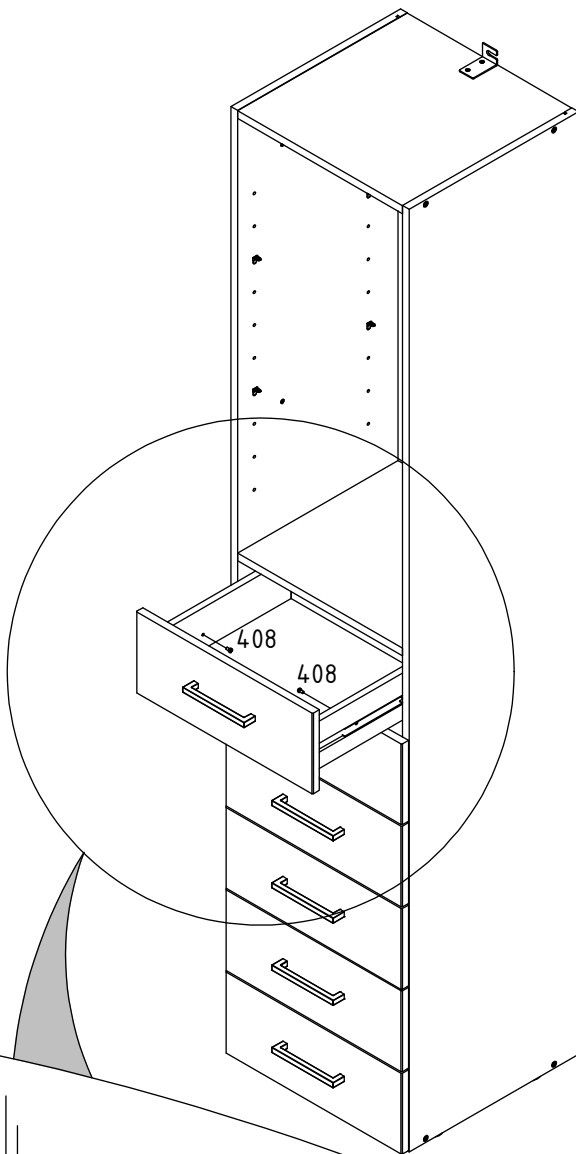




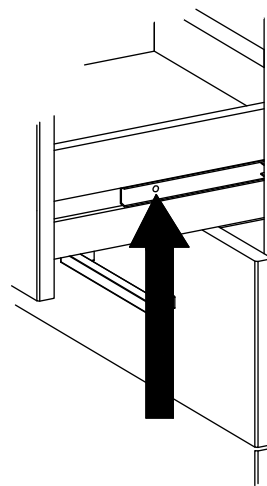
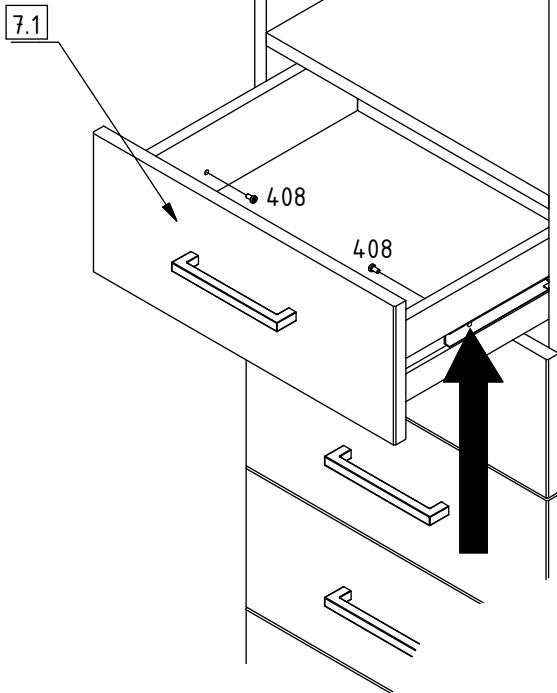








6x



10x

