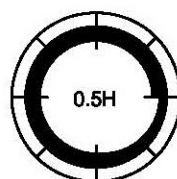
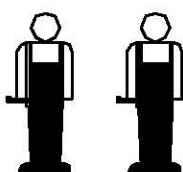
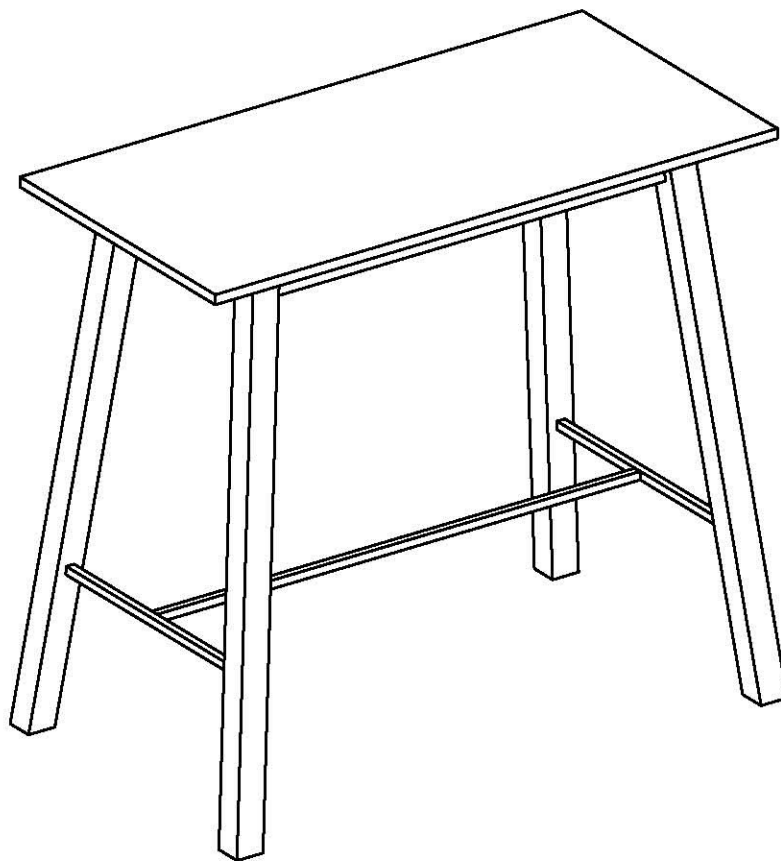
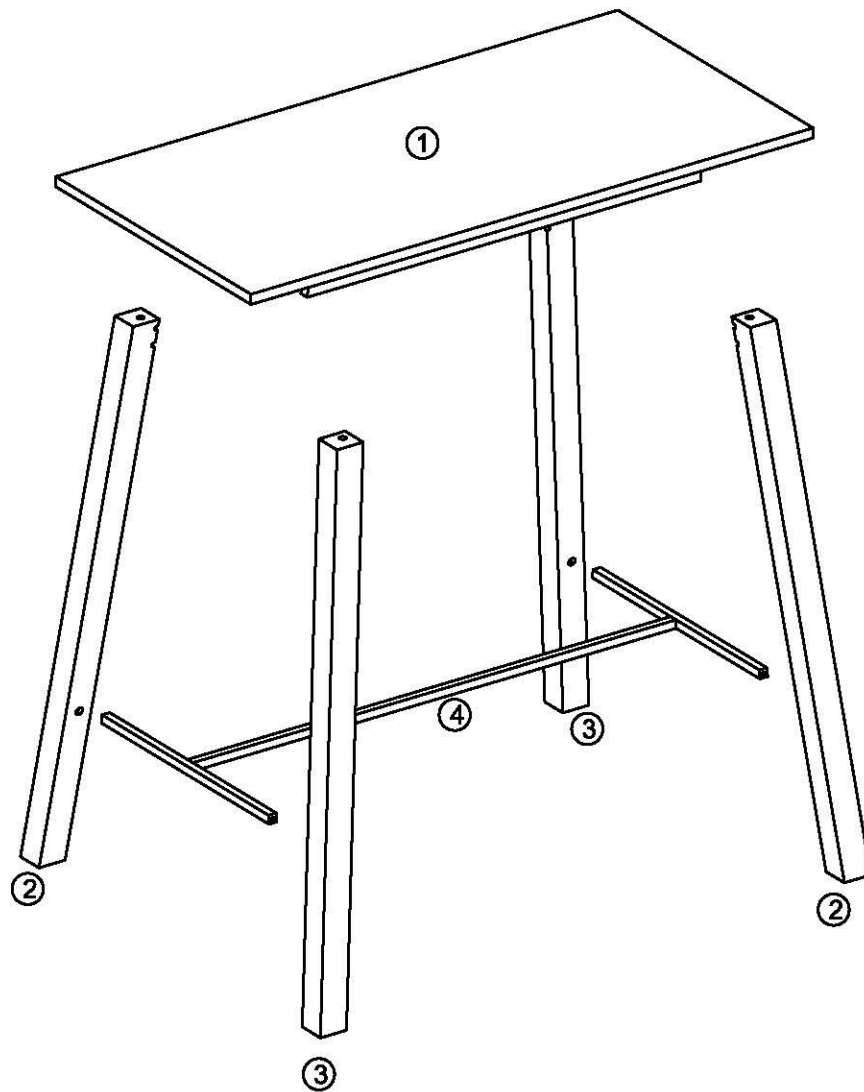


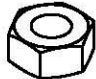








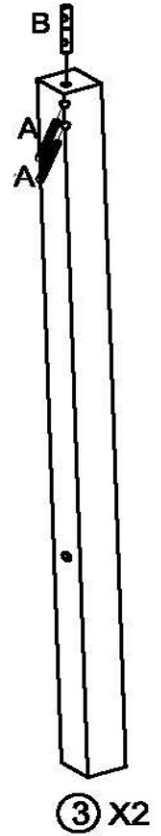
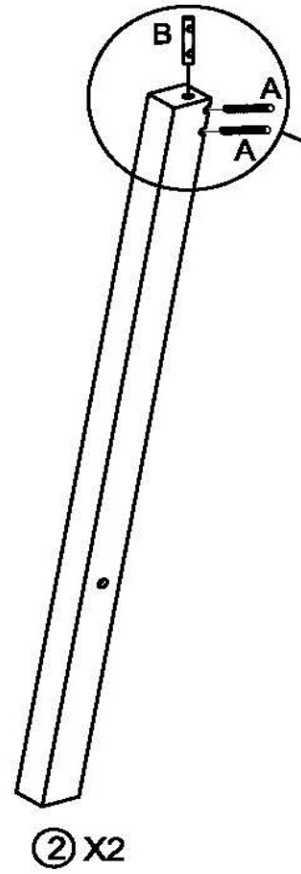
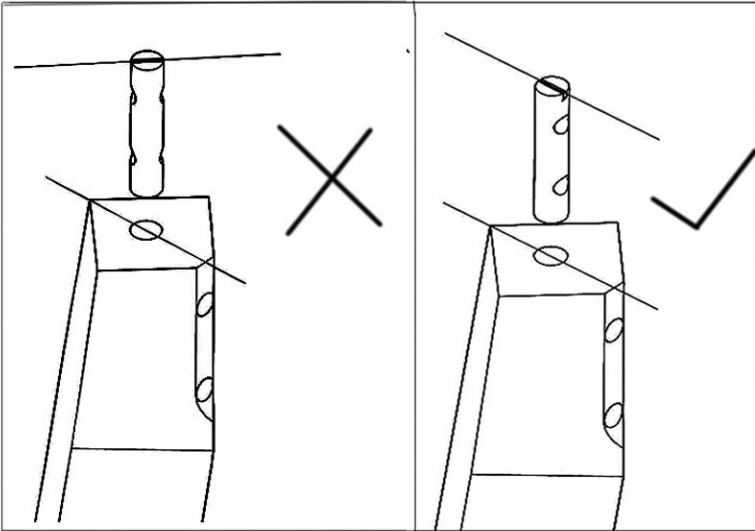
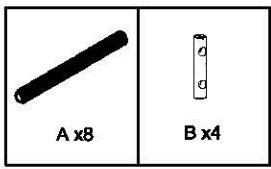


Chara

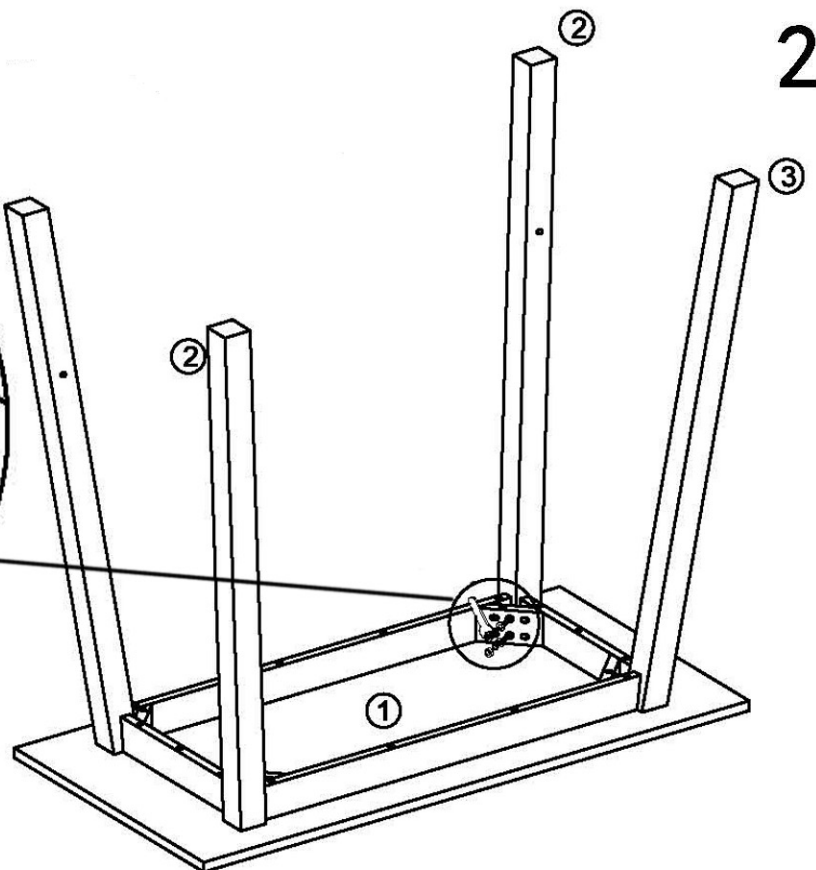
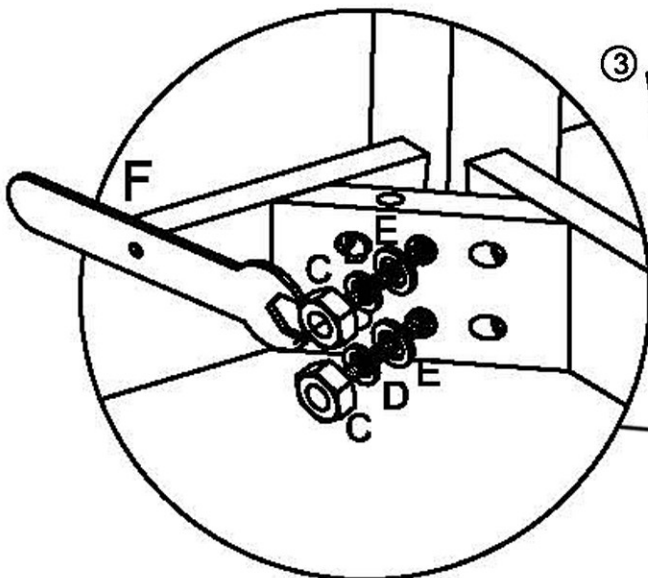
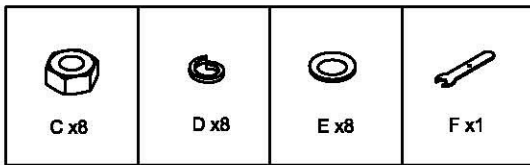




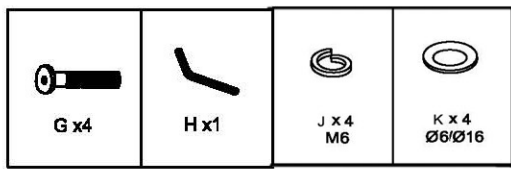
 A x8 M8*80	 B x4 Ø12*60	 C x8 M8*6	 D x 8 M8	 E x 8 Ø8/Ø16	 F x1 12
 G x4 M8*25	 H x1 5mm	 I x4 50*50*3	 J x 4 M6	 K x 4 Ø6/Ø16	



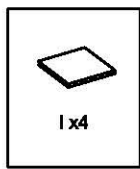
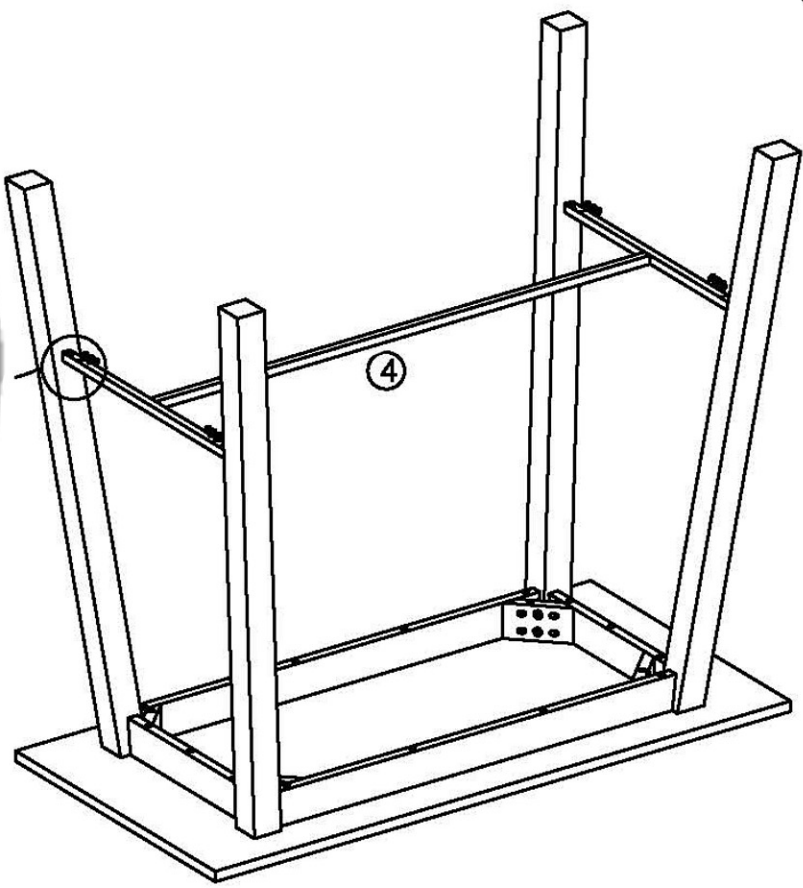
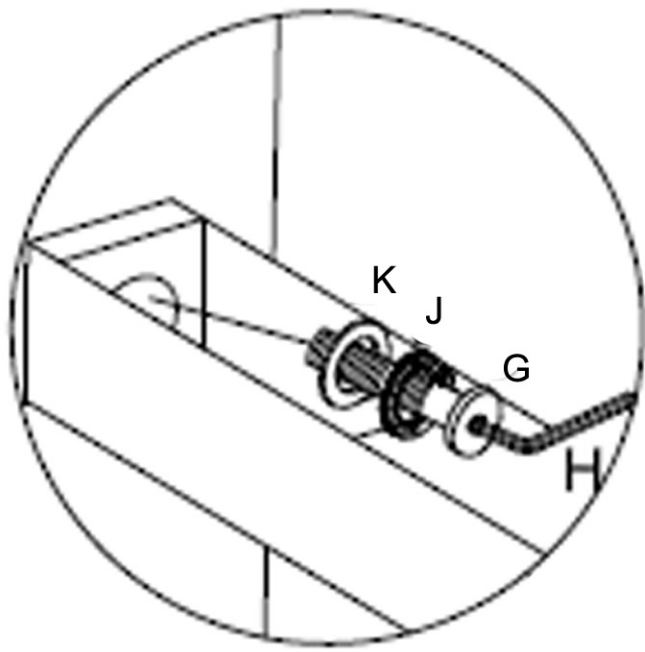
1



2



3



4

