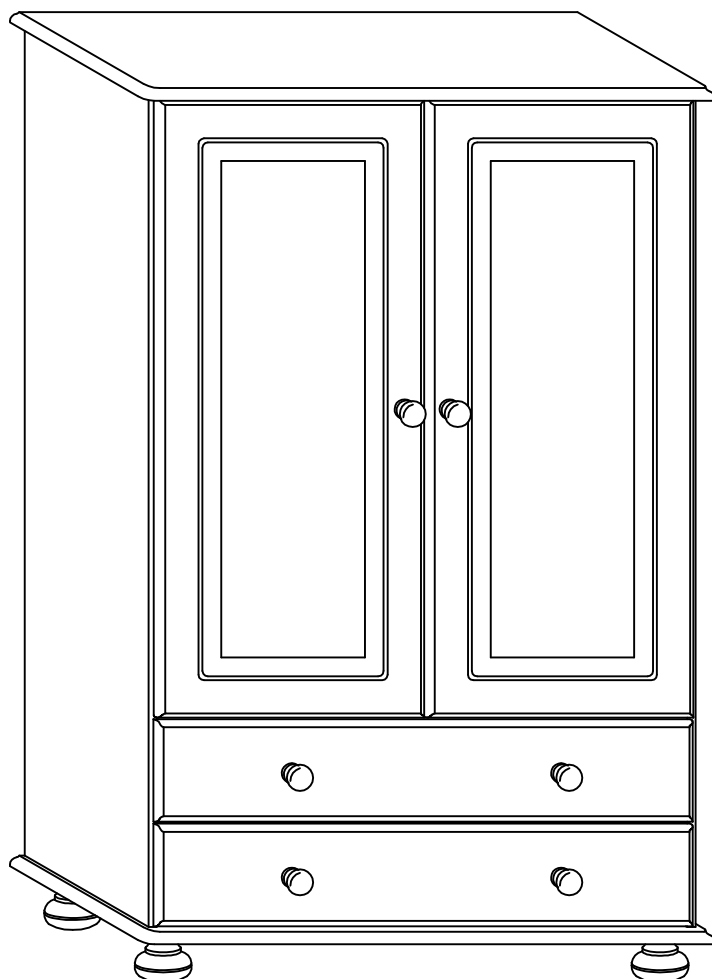
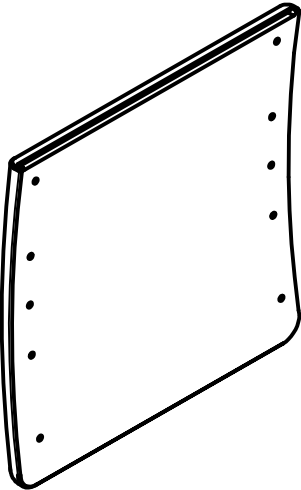


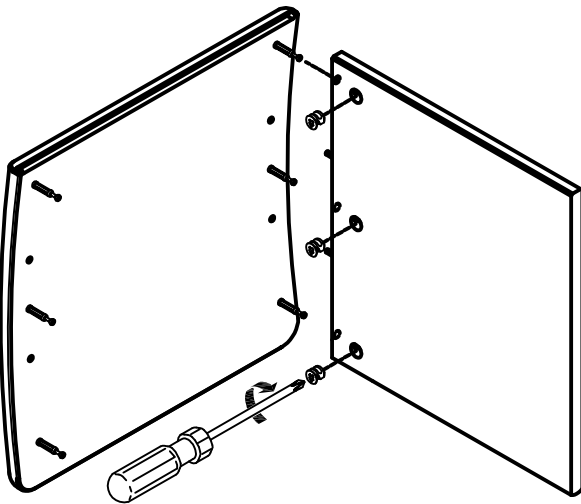
# 102222034



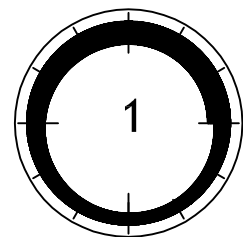
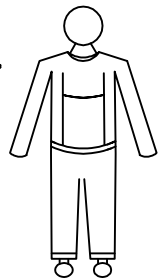
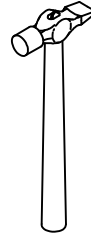
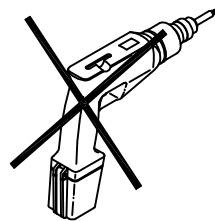
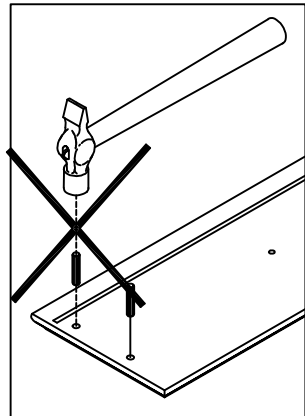
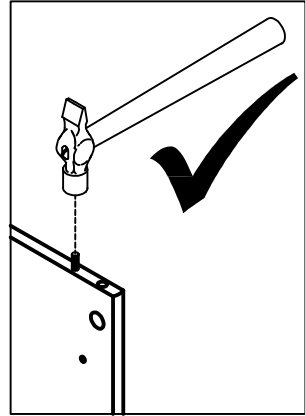
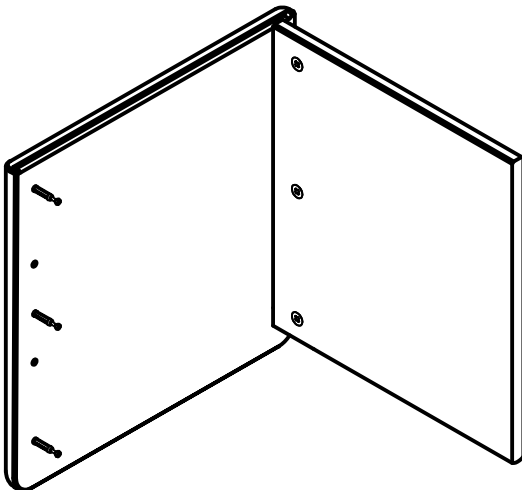
1.

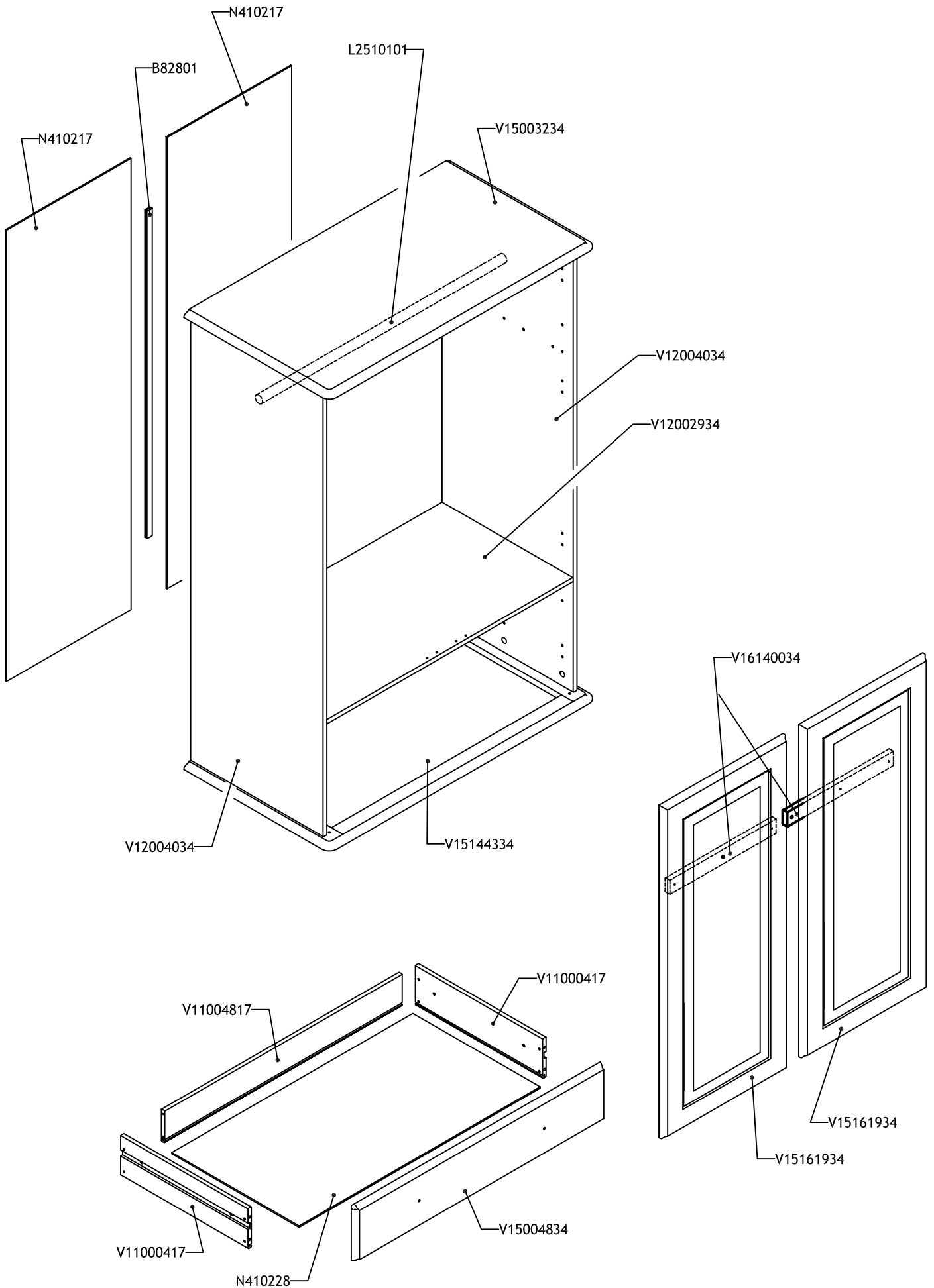


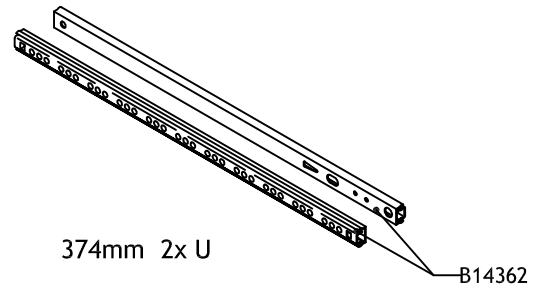
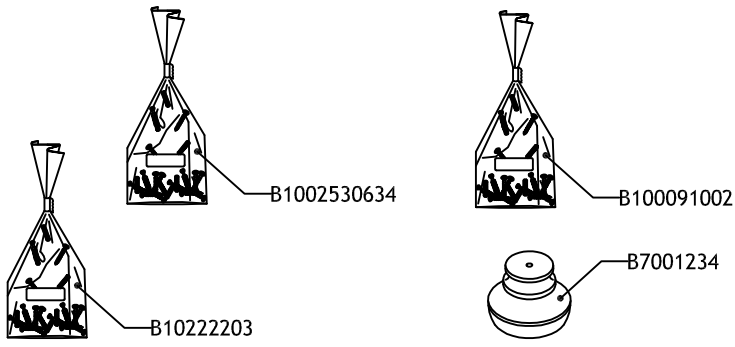
2.



3.







BA10400  
6x30 SPEC  
32x A



BA10602  
ø5X34/9mm  
18x B



BA10590  
15x9,5  
18x C



BA10020  
1,2x20  
50x D



BA10158  
3,5x12 RDH  
8x E



BA10189  
M4x7  
4x F



BA10270  
5,8x8  
8x G



BA10106  
3,0x12  
6x H



BA10050  
3,5x15  
8x J



BA10070  
3,5x30  
8x K



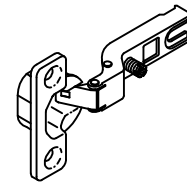
BA10145  
4,5x40  
6x L



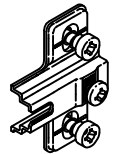
BA10150  
4,5x45  
4x M



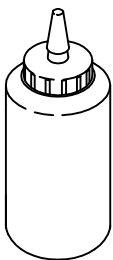
BA10508  
4x N



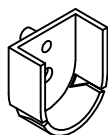
BA10532  
0mm  
4x O



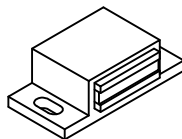
I10881  
15g  
1x P



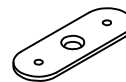
BA10730  
2x Q



BA10708  
4x R



BA10709  
4x S



BA1046534  
Ø40\*30mm  
6x T

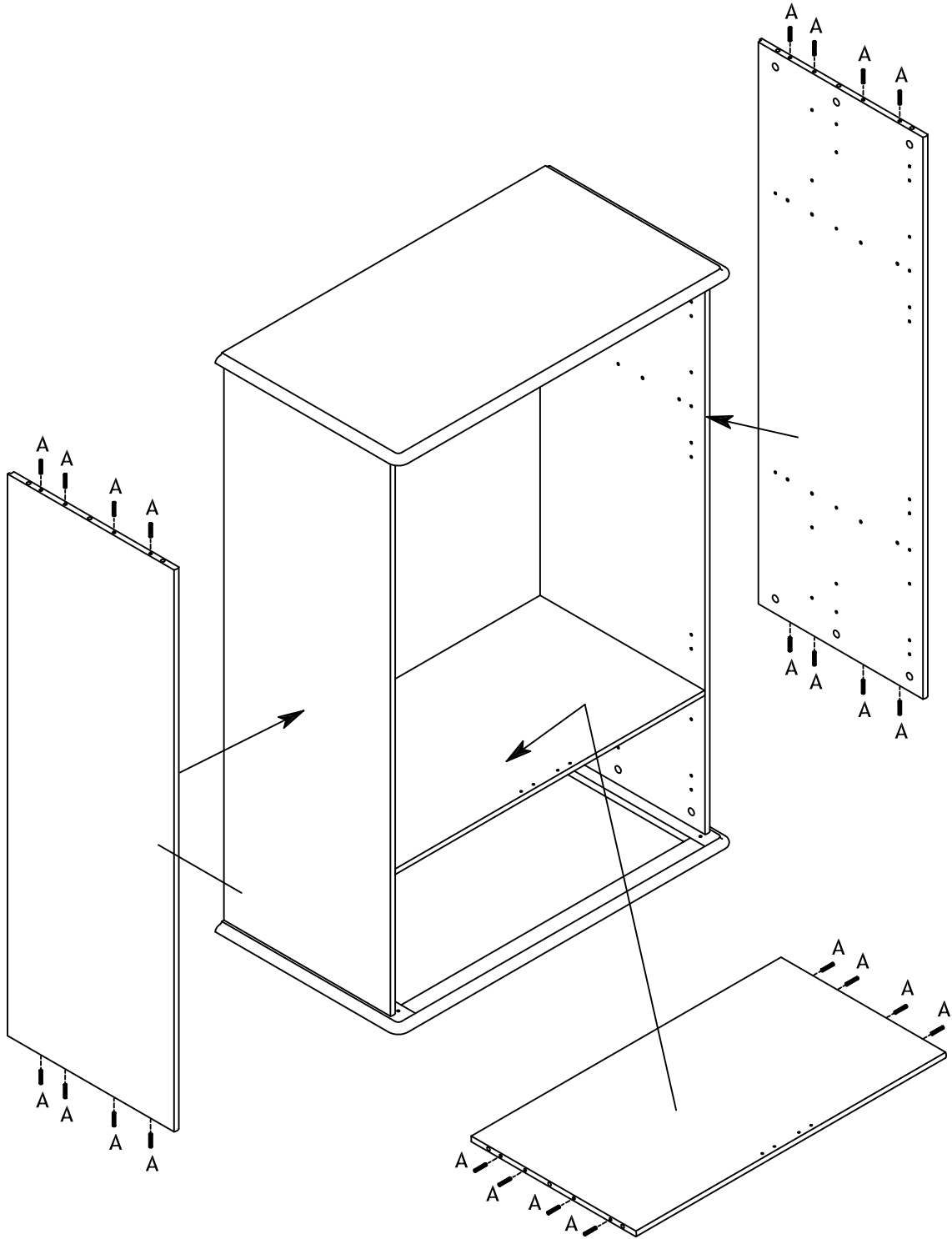


BA10131  
4x25  
6x U



6x30 SPEC

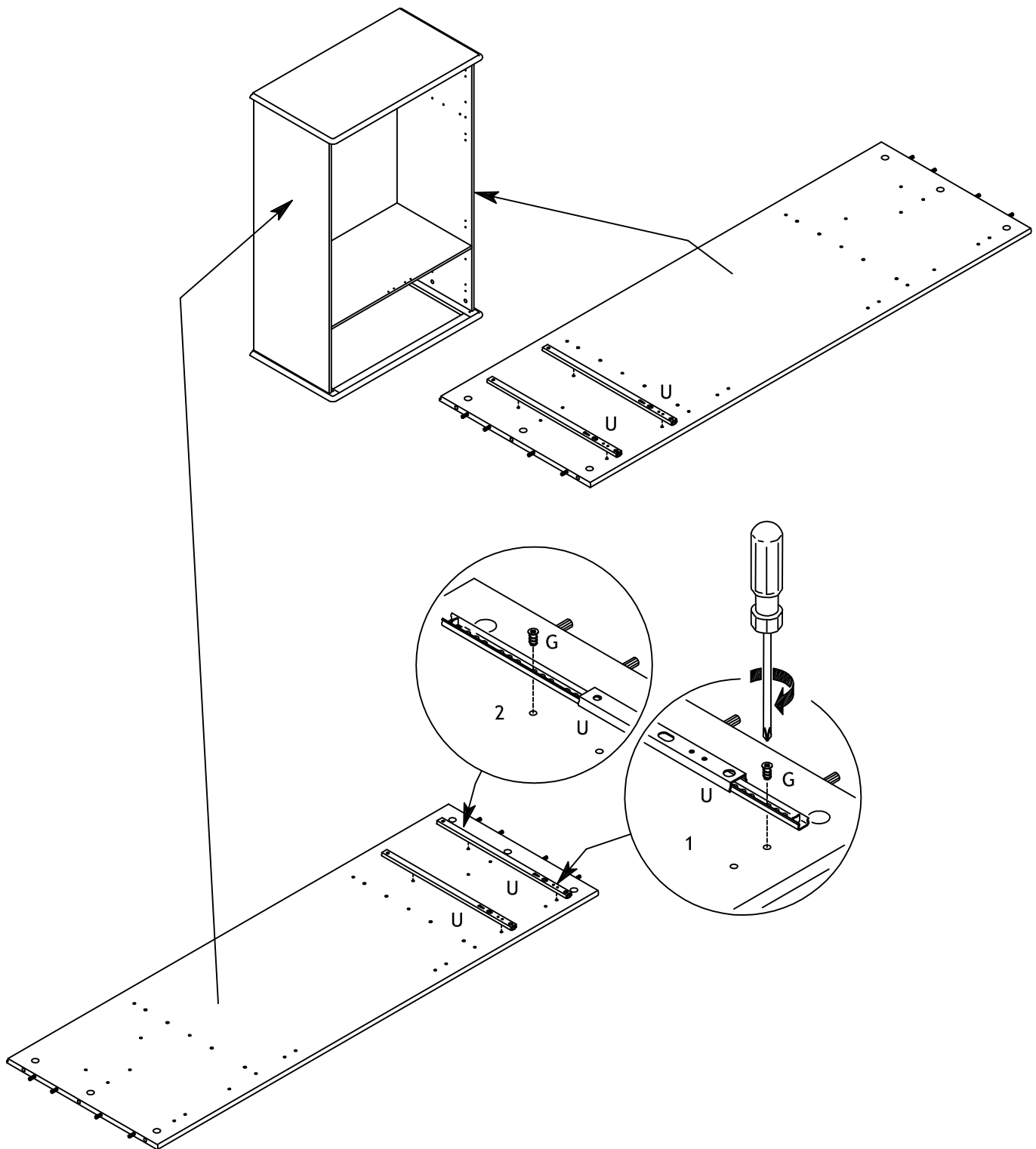
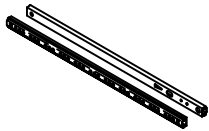
24x A



5,8x8

8x G

2x U



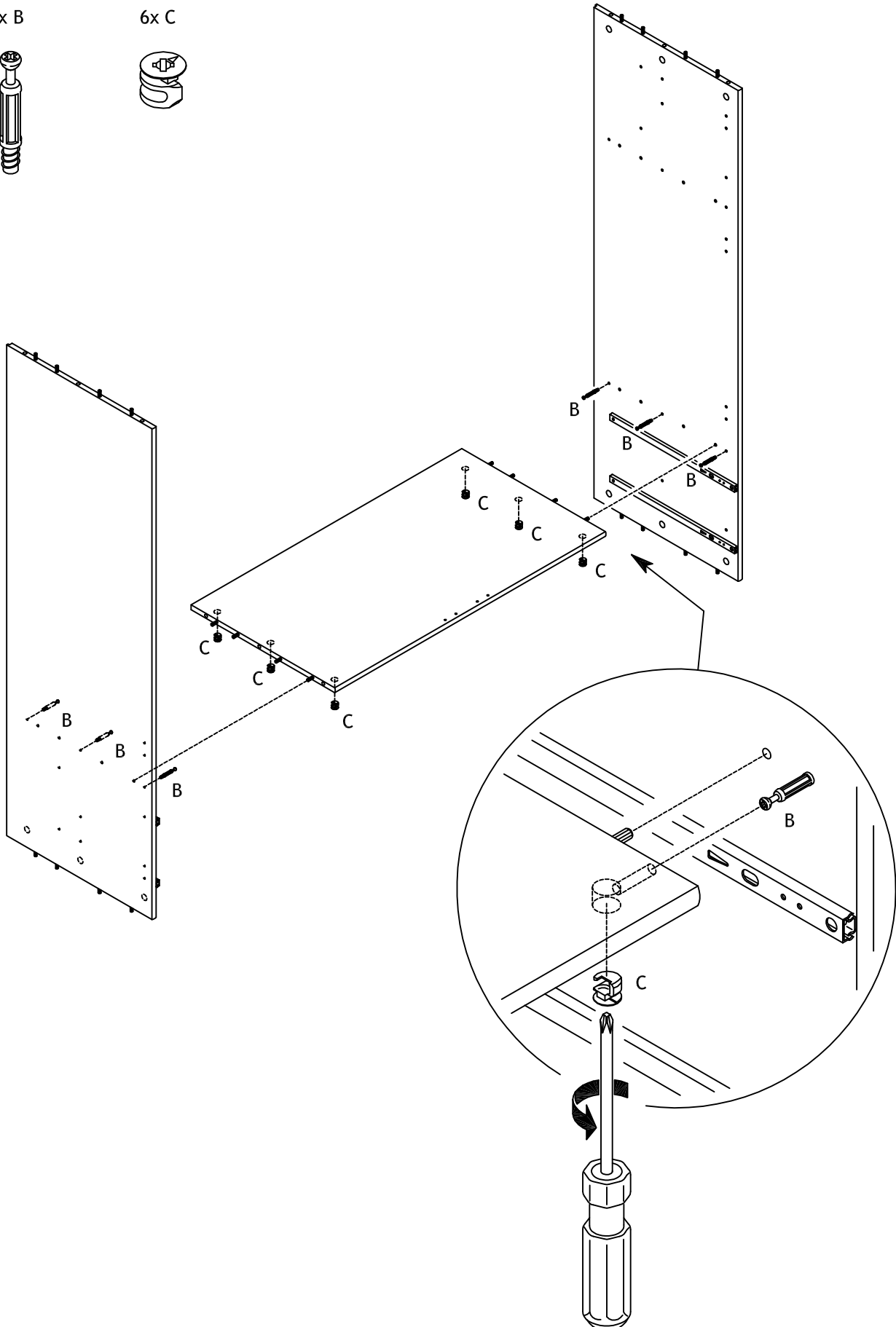
$\varnothing 5 \times 34/9 \text{ mm}$ 

6x B



15x9,5

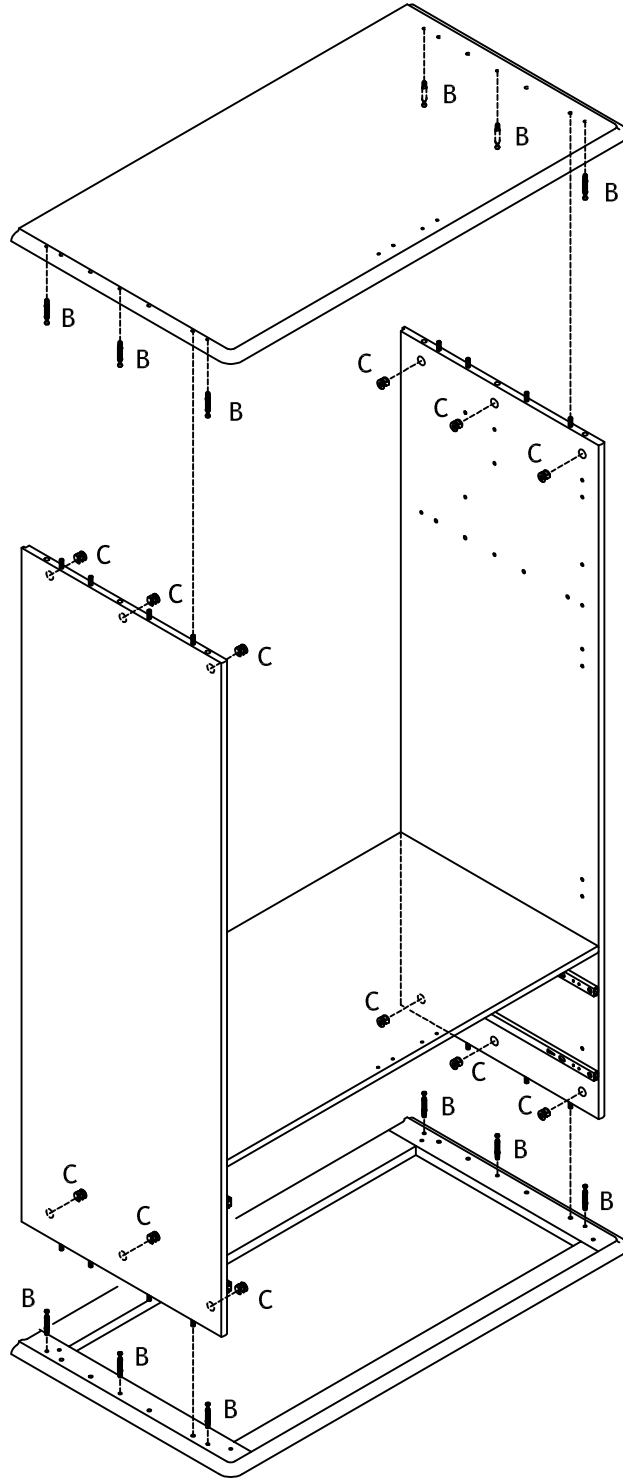
6x C



ø5X34/9mm  
12x B



15x9,5  
12x C





5

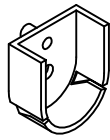
3,5x12 RDH  
8x E



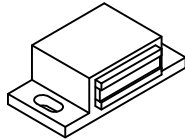
3,0x12  
2x H



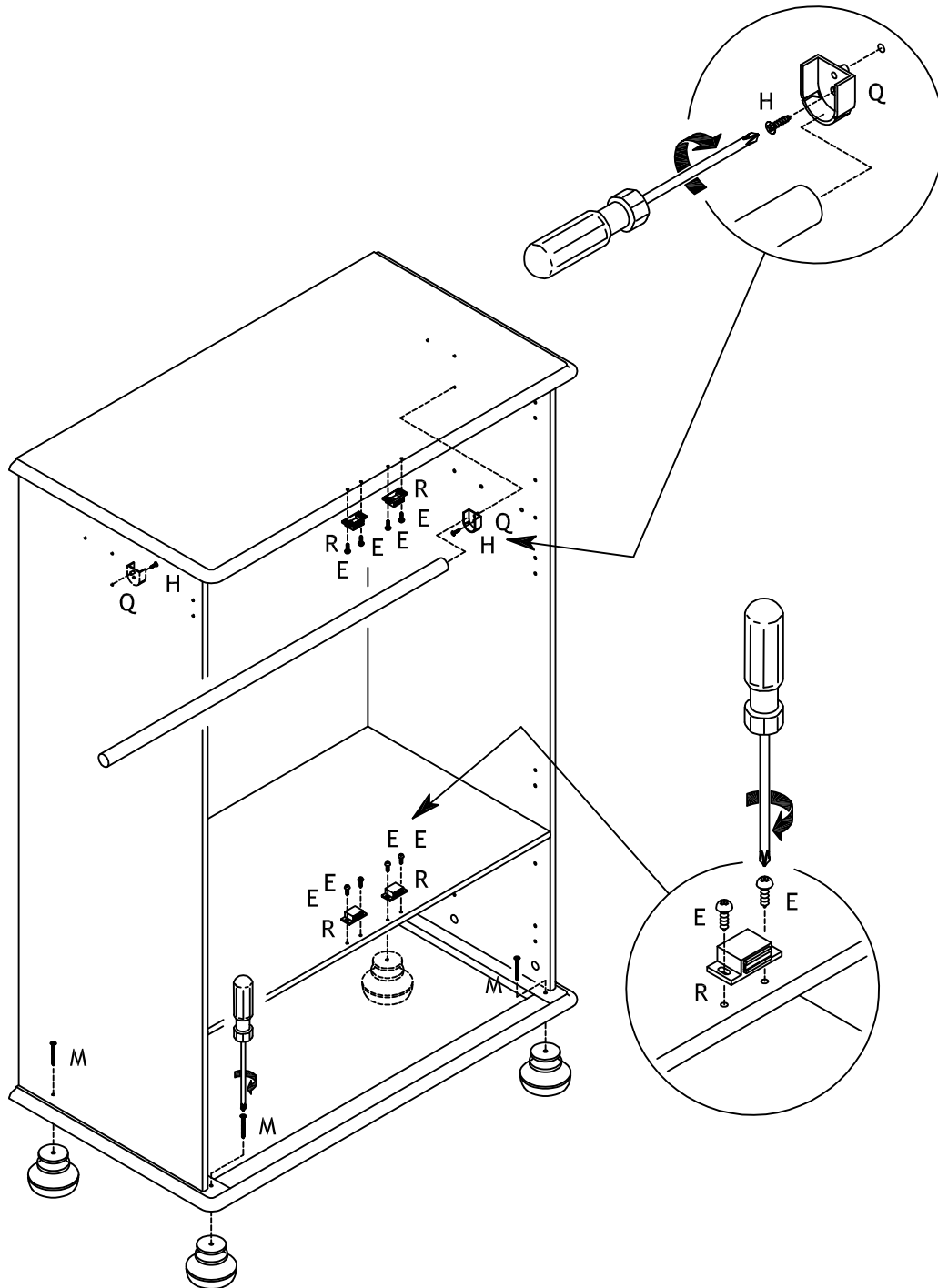
2x Q



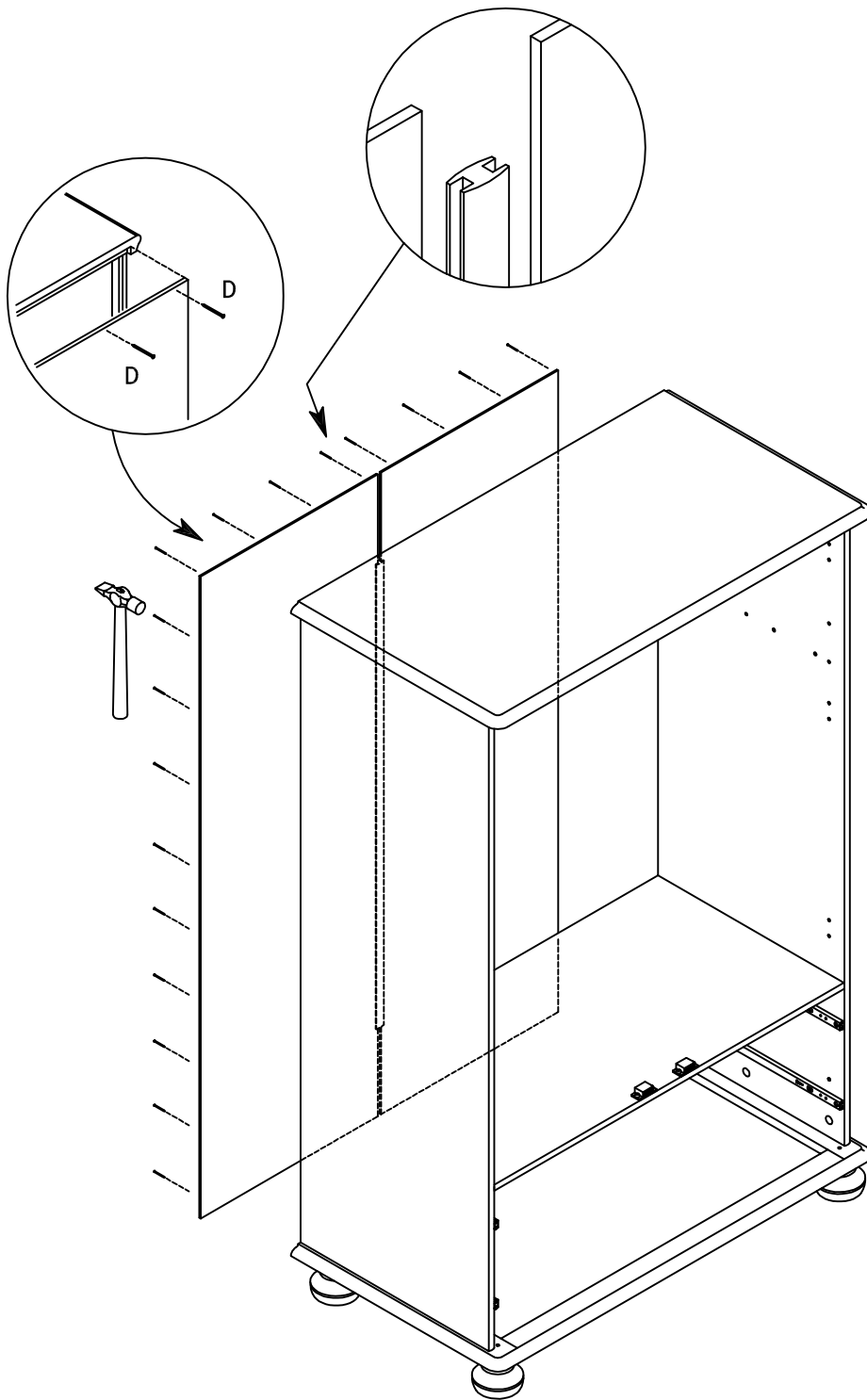
4x R



4,5x45  
4x M



1,2x20  
50x D

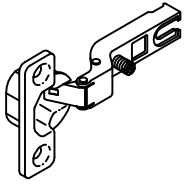


7

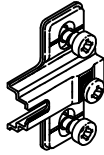
3,5x15  
8x J



4x N



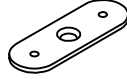
7mm  
4x O



3,0x12  
4x H



4x S



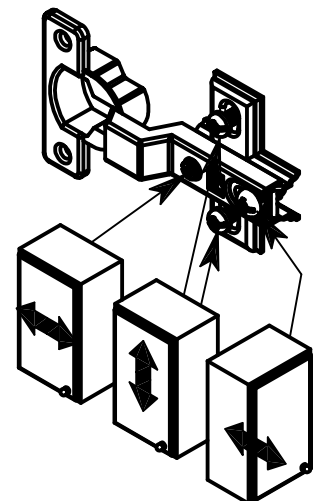
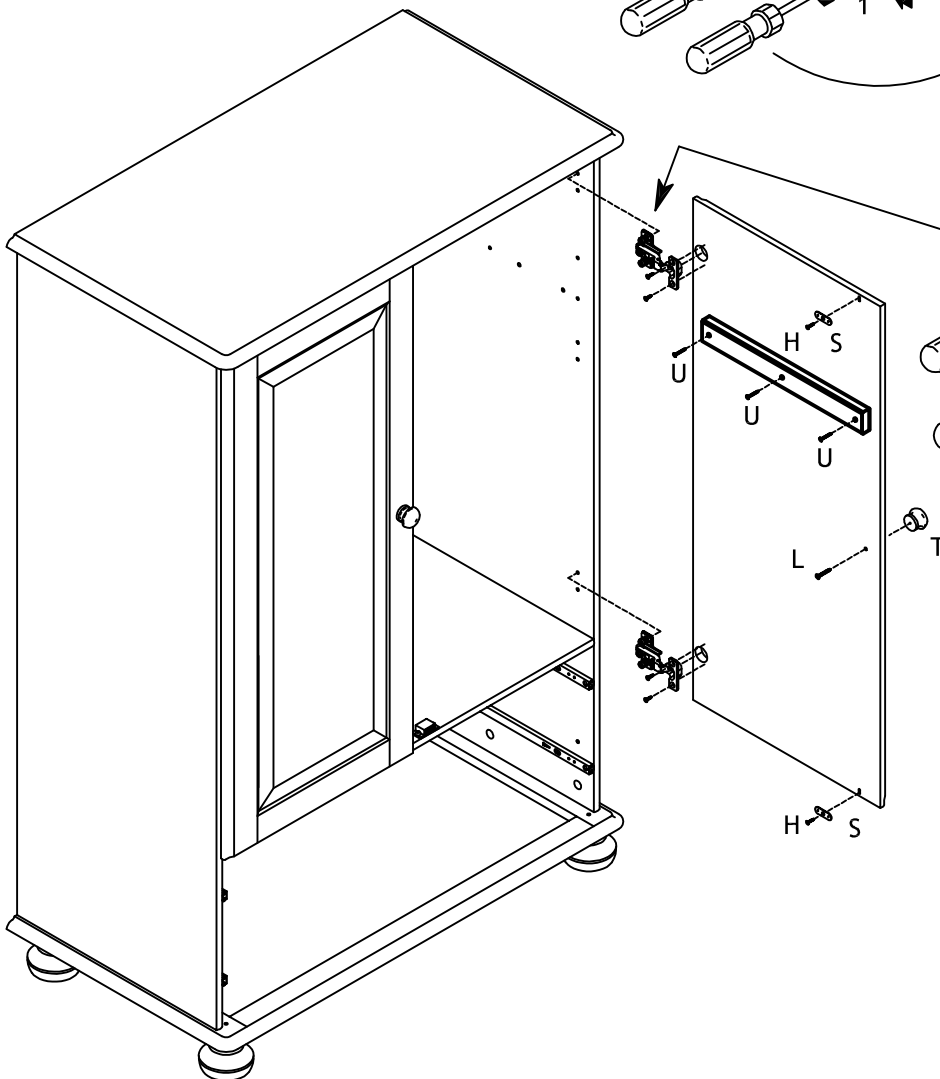
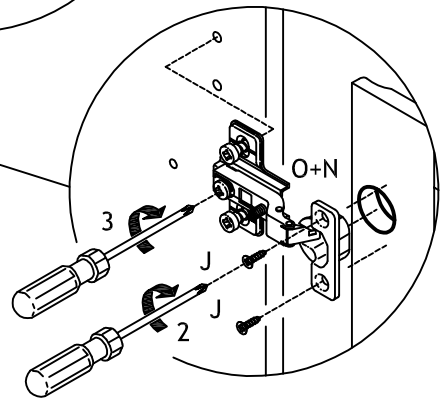
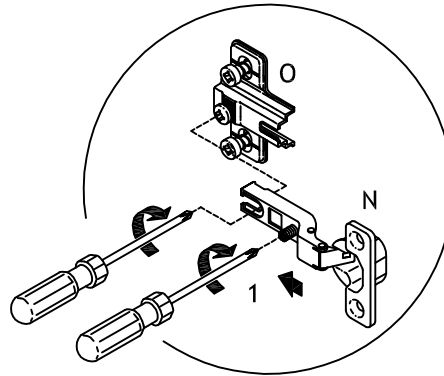
Ø40\*30mm  
2x T



4,5x40  
2x L

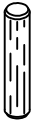


4x25  
6x U



8

6x30 SPEC  
8x A



3,5x30  
8x K



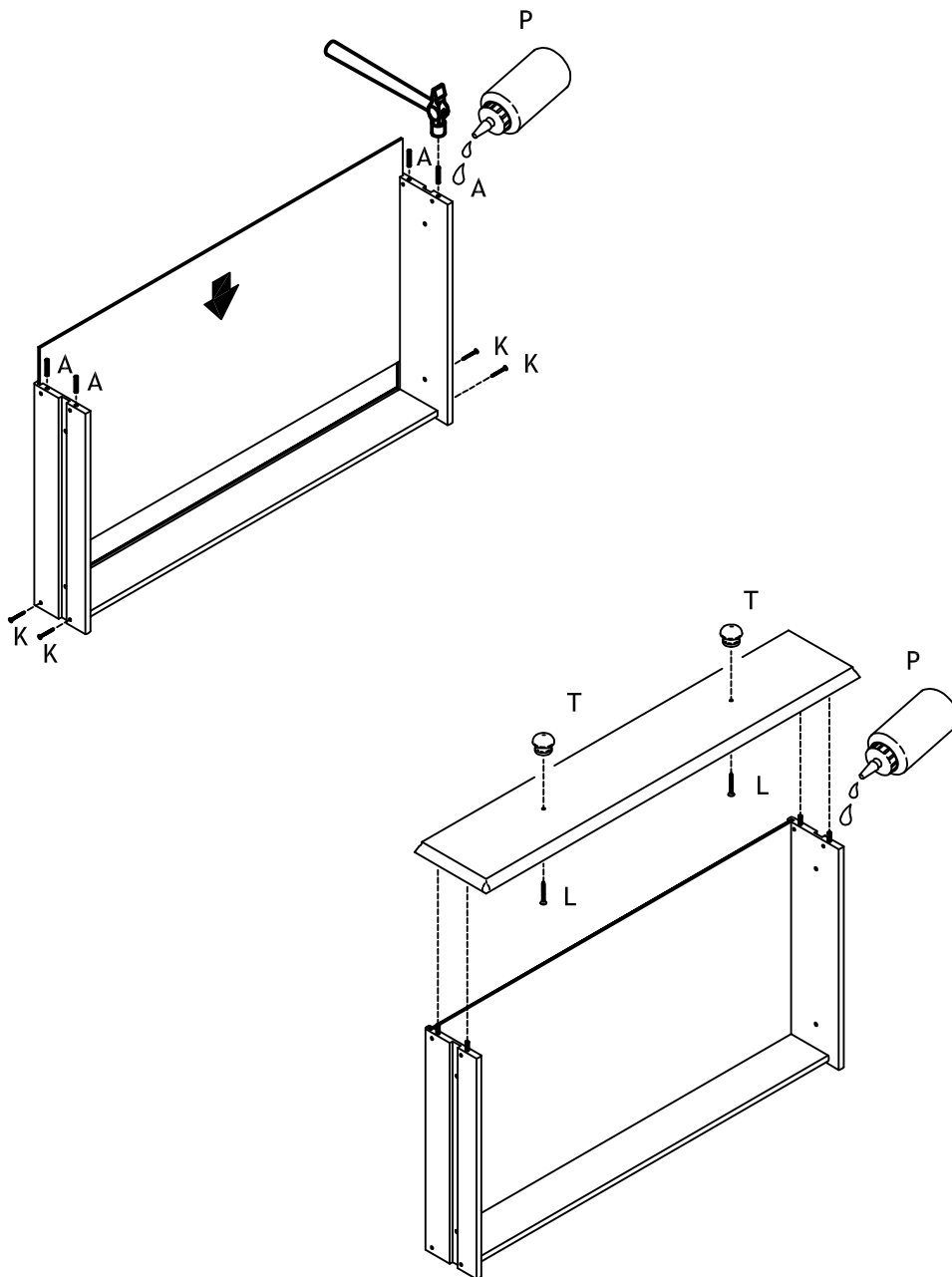
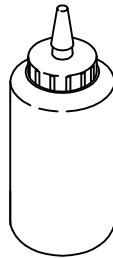
4,5x40  
4x L



Ø40\*30mm  
4x T



1x P



M4x7

4x F

