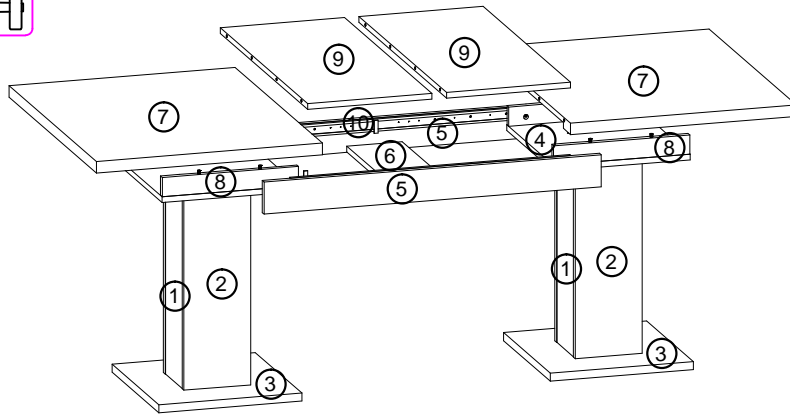
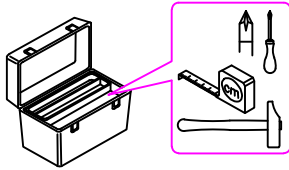
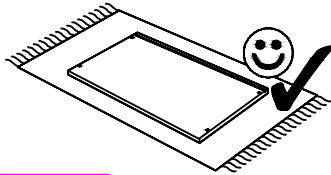
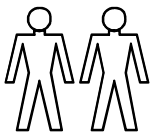
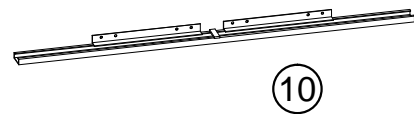


Hamburg 1



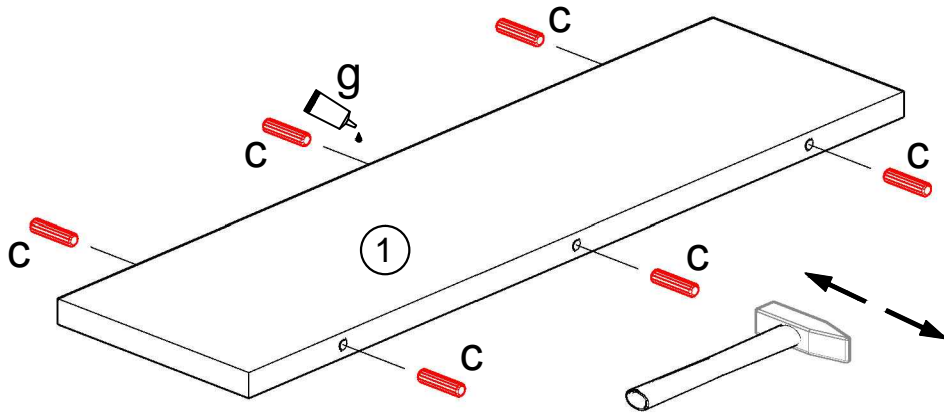
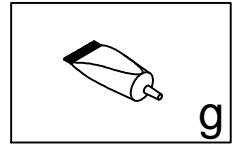
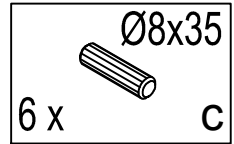
- 4 x (1)
- 4 x (2)
- 2 x (3)
- 2 x (4)
- 2 x (5)
- 1 x (6)
- 2 x (7)
- 4 x (8)
- 2 x (9)
- 1 x (10)

<p>16 x a</p>	<p>8 x b</p>	<p>60 x c</p>	<p>44 x d</p>
<p>1 x e</p>	<p>8 x f</p>	<p>2 x g</p>	<p>8 x h</p>
<p>12 x k</p>	<p>12 x l</p>	<p>12 x m</p>	<p>12 x n</p>



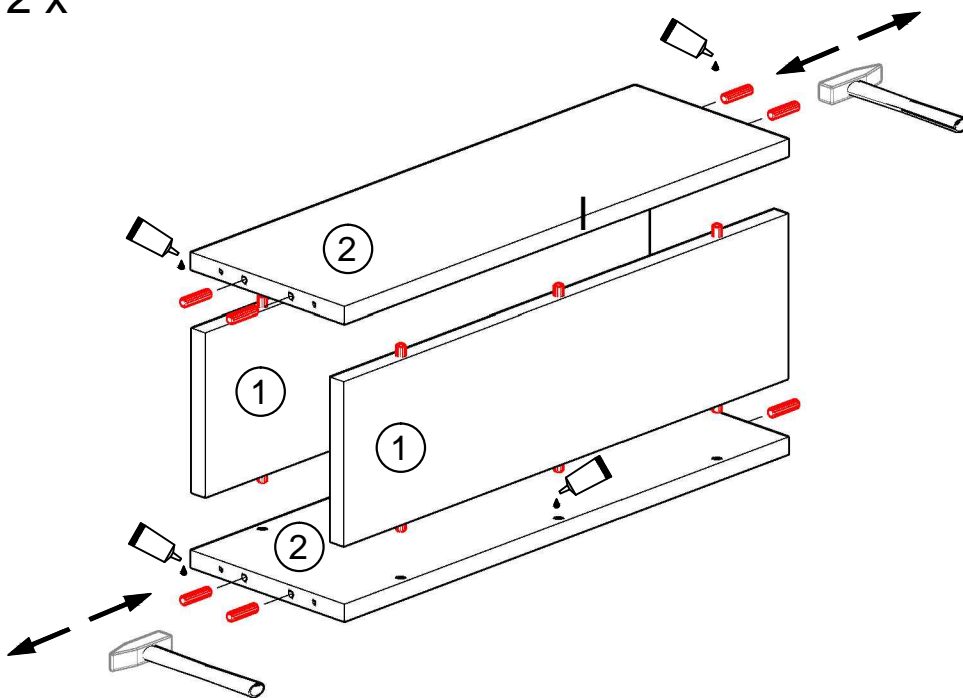
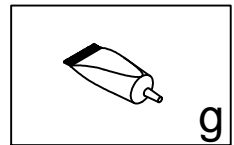
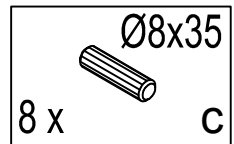
A 

4 x



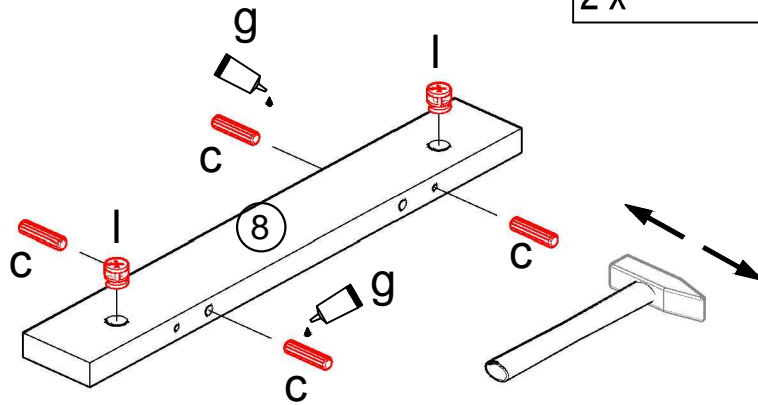
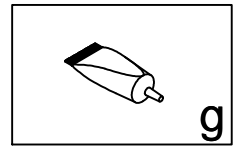
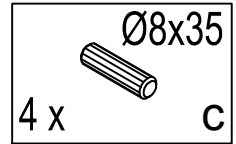
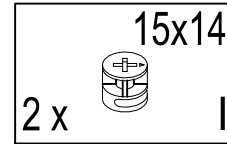
B 

2 x



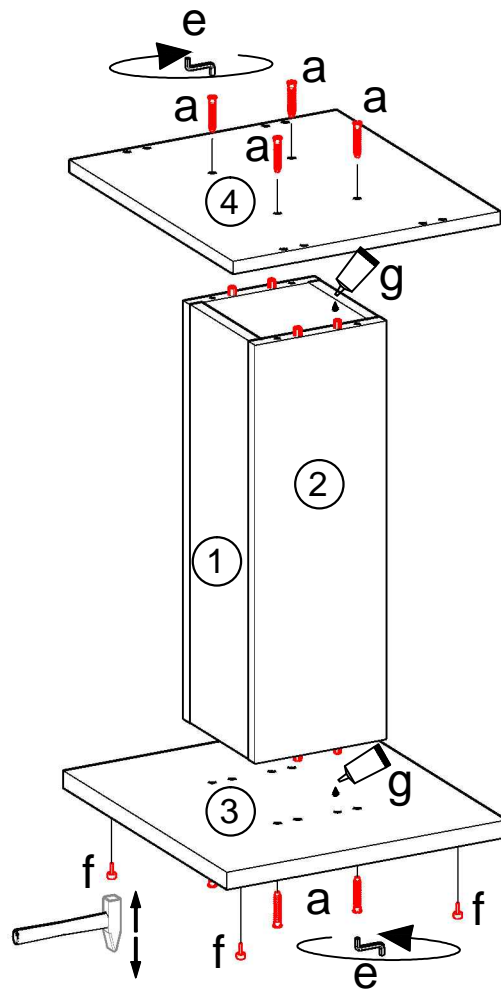
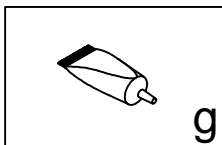
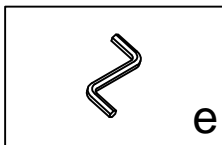
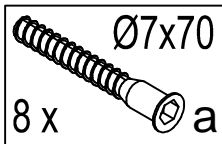
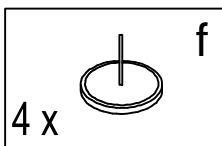
C 

4 x

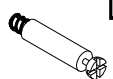
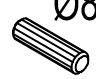





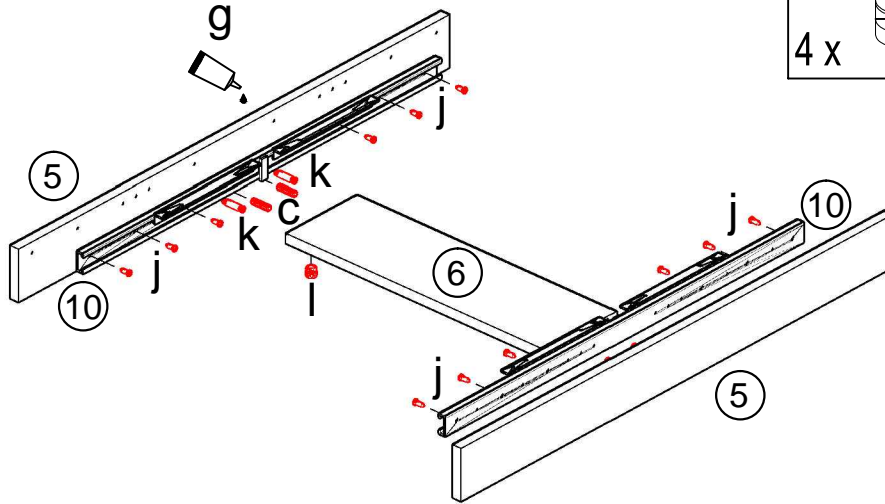
D 

2 x


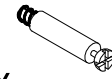




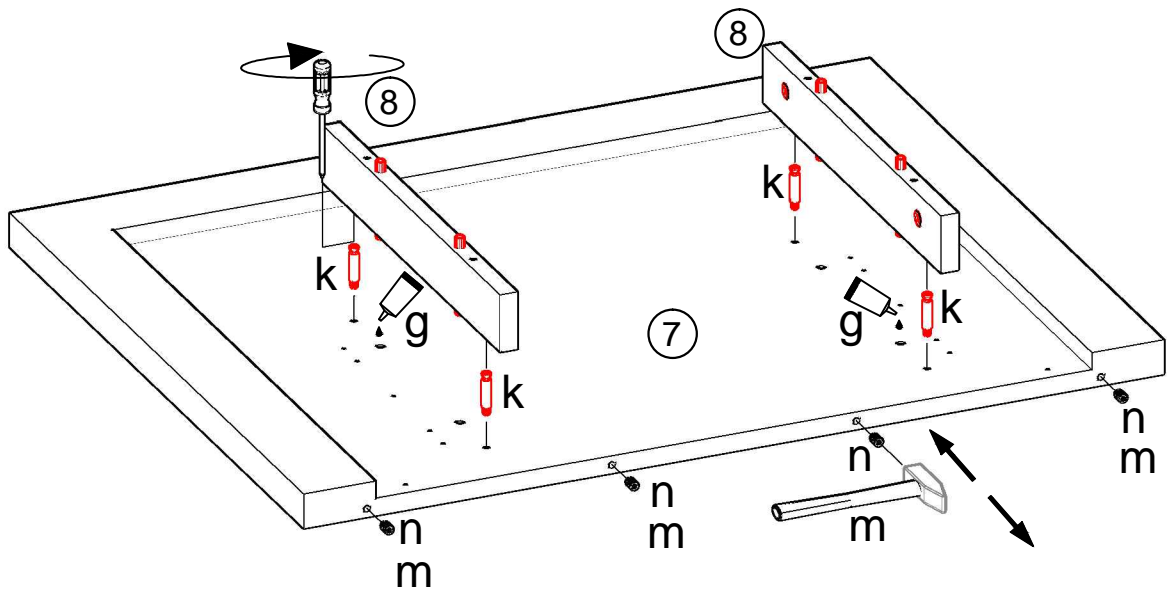
E 

- | | |
|--|--|
|  D 5
4 x k |  Ø8x35
4 x c |
|  15x14
4 x l |  g |
|  4x16
20 x d | |




F 
2 x


- | | |
|---|--|
|  8x12
4 x m |  D 5
4 x k |
|  8x12
4 x n |  g |

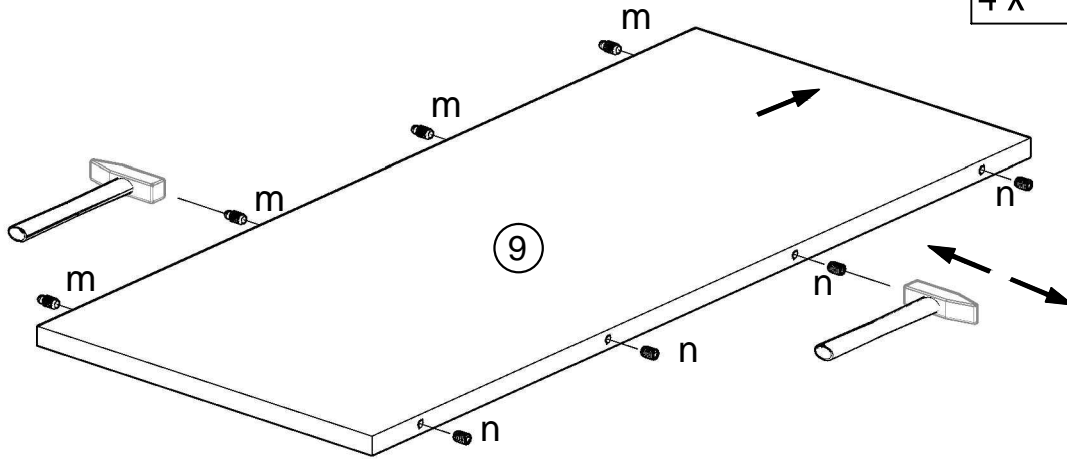


G 

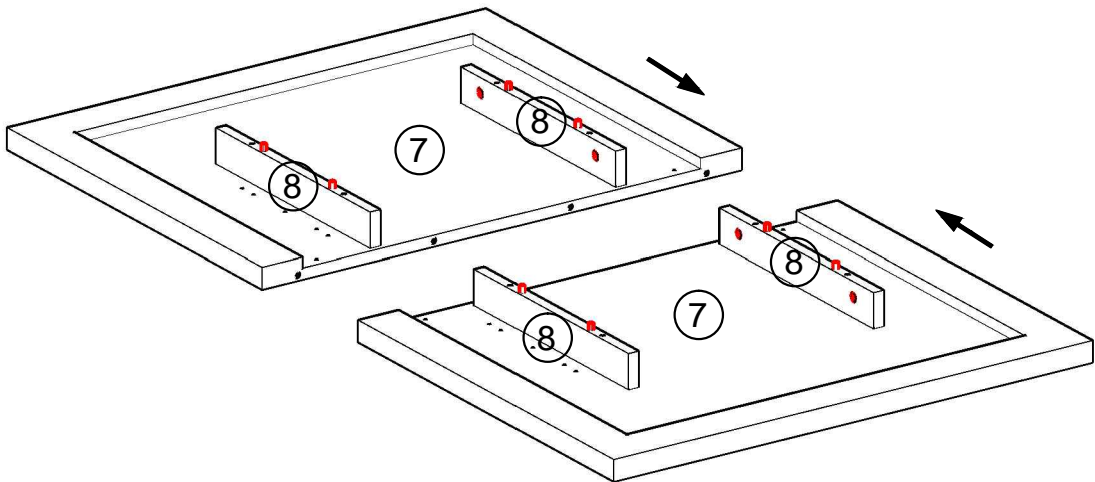
2 x

8x12
4 x  m

8x12
4 x  n




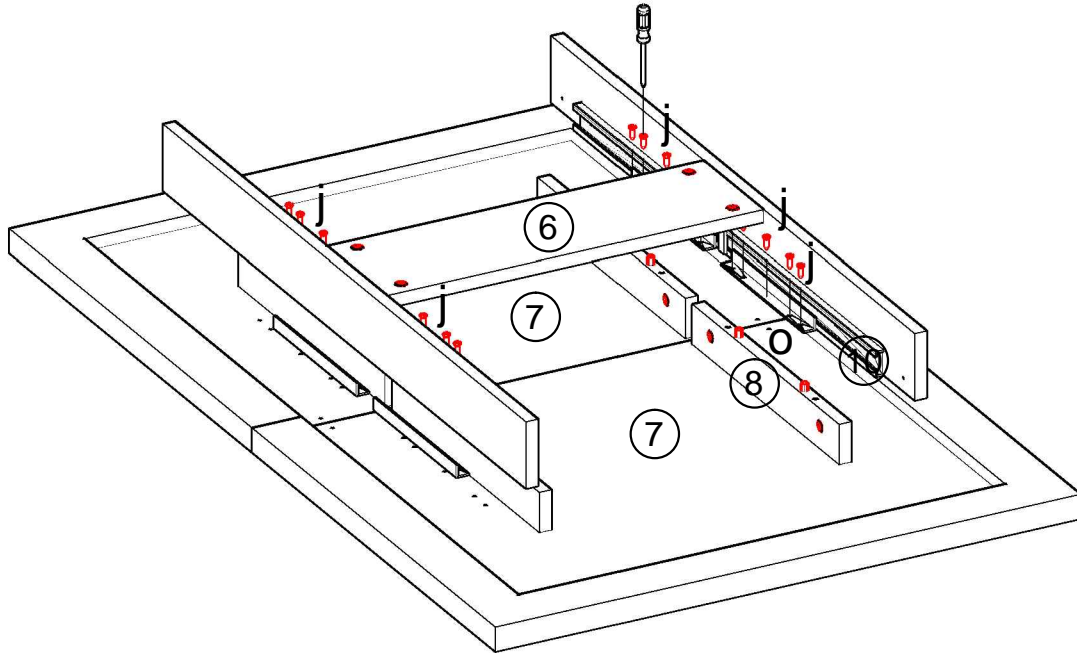
H 



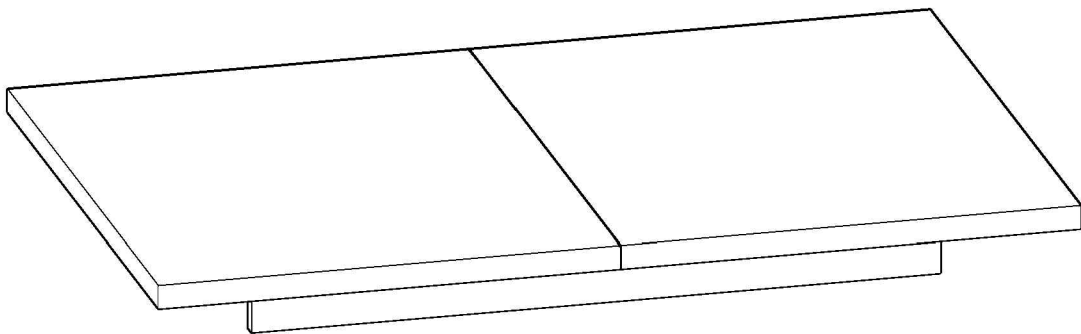
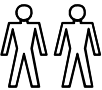
I



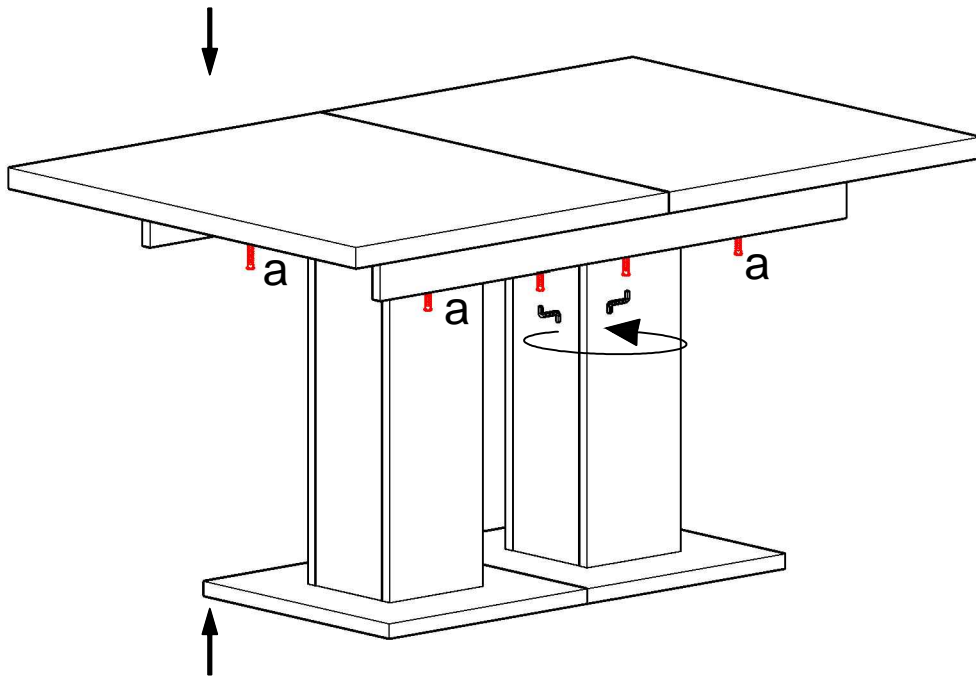
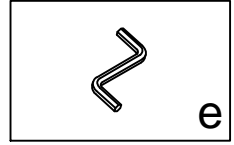
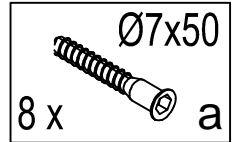
4x16
24 x  d



J



K



L

