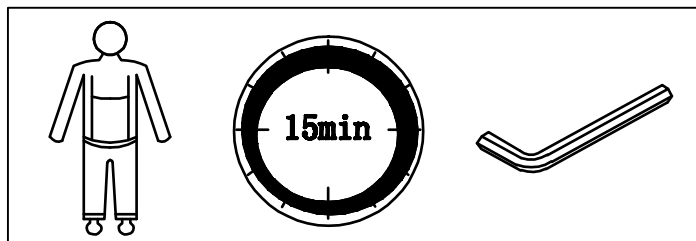
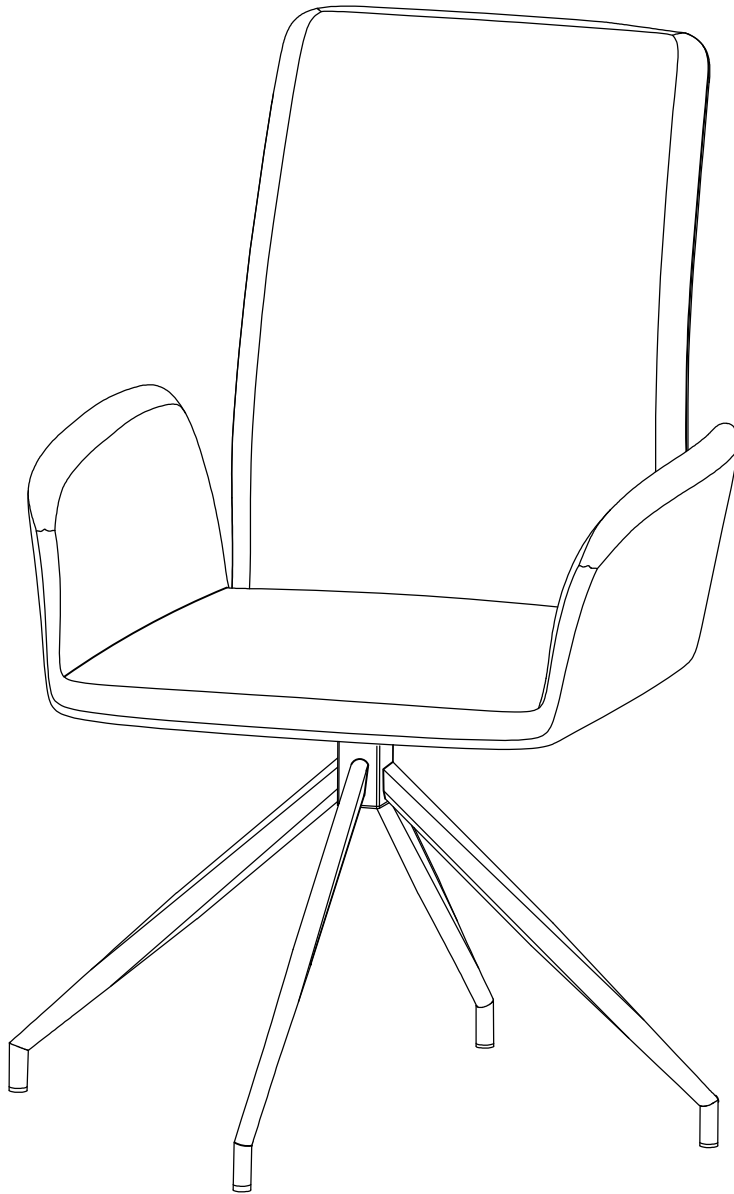
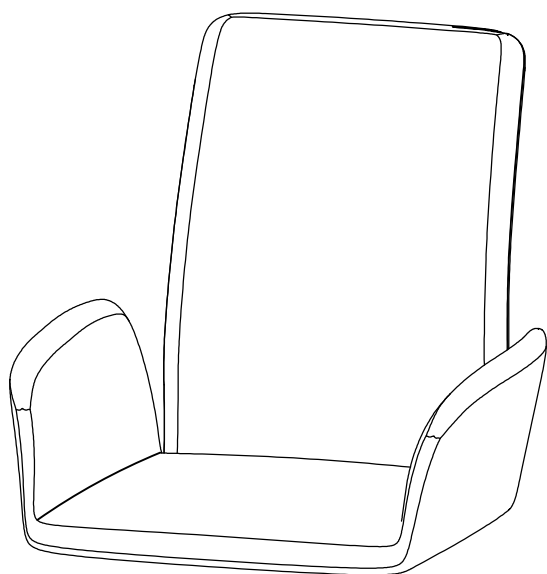


# Naya -Chair

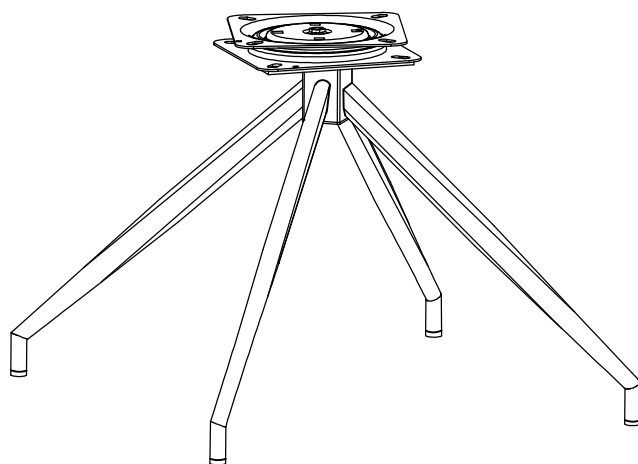
---







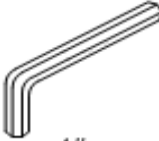
# Naya -Chair



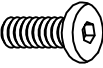



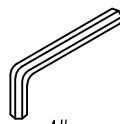
① \*1Pc

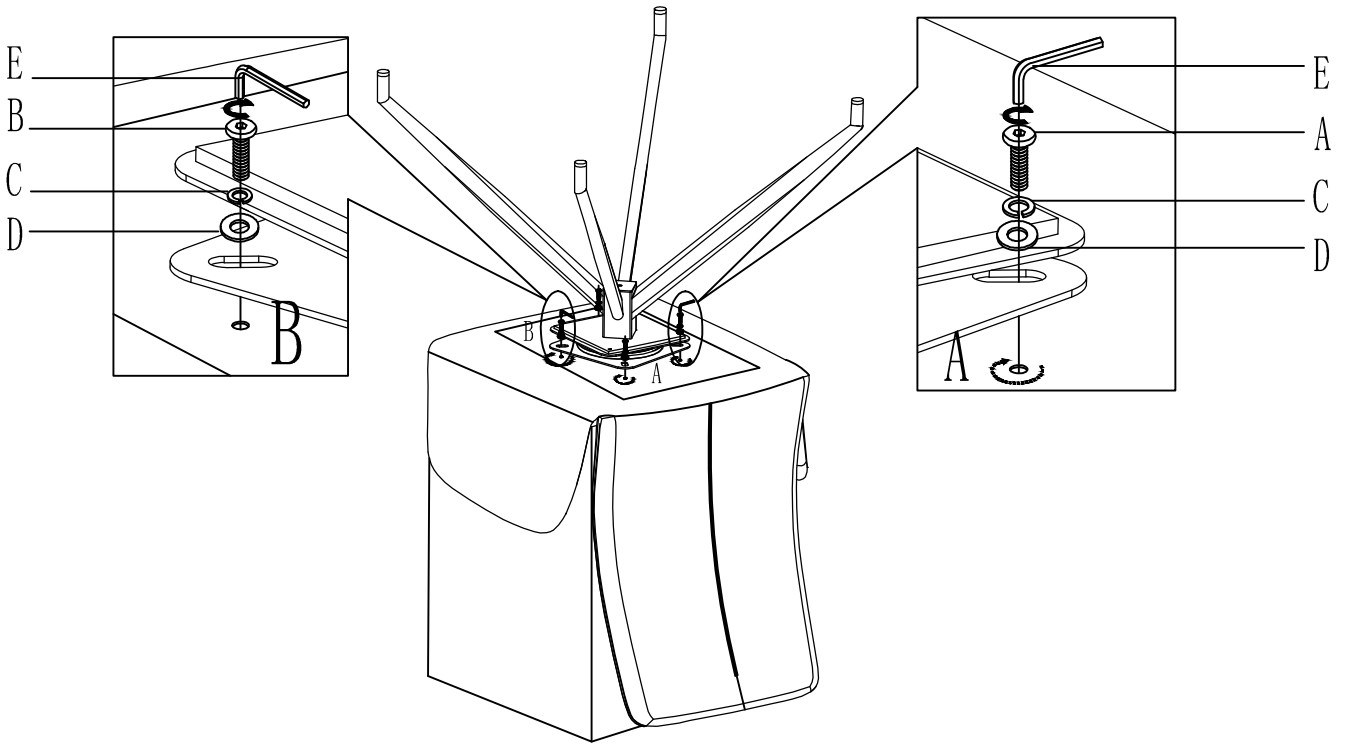


② \*1Pc

<p>A × 2</p>  <p>M6 × 15</p>	<p>B × 2</p>  <p>M6 × 25</p>	<p>C × 4</p>  <p>φ 10 / φ 6</p>	<p>D × 4</p>  <p>φ 16 / φ 6</p>
<p>E × 1</p>  <p>4#</p>			

1

A×2  M6×15	B×2  M6×25	C×4  φ10/φ6	D×4  φ16/φ6	E×1  4#
---------------------------------------------------------------------------------------------------	---------------------------------------------------------------------------------------------------	----------------------------------------------------------------------------------------------------	------------------------------------------------------------------------------------------------------	--------------------------------------------------------------------------------------------------



2

