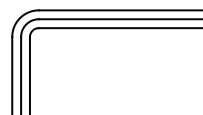
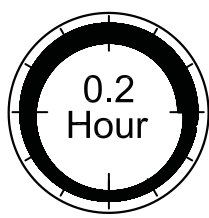
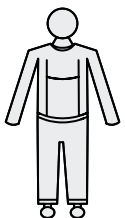
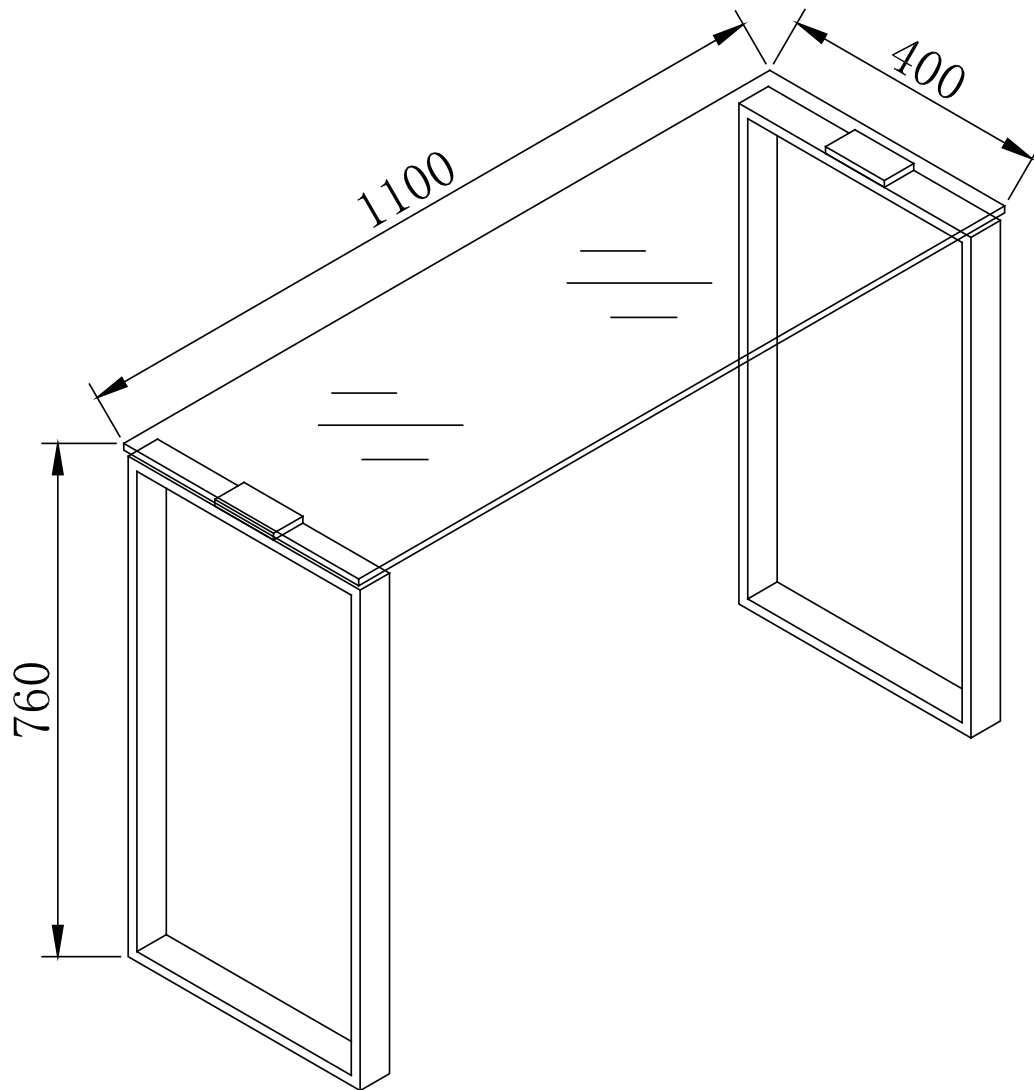
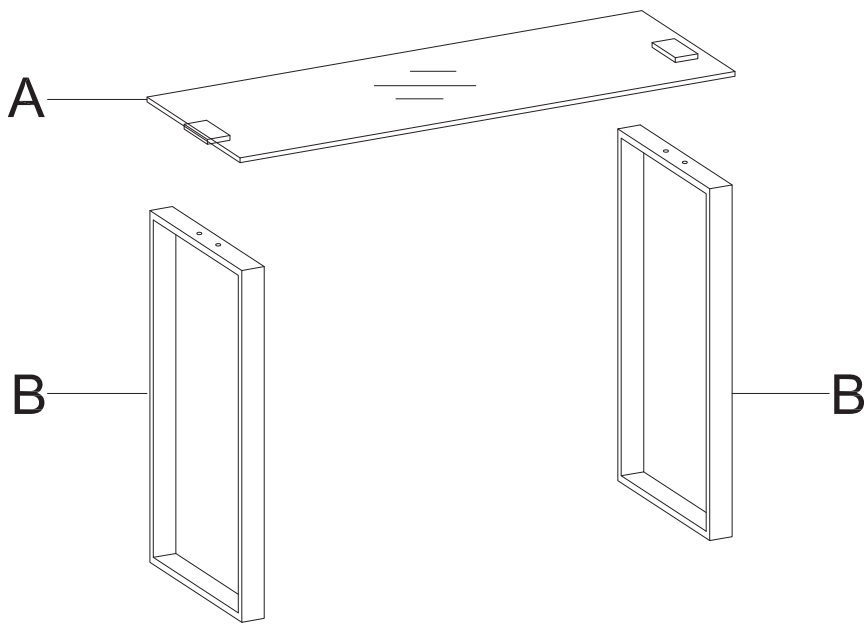


Katrine





6/15" x 22mm
C x 4



Ø16 x 2.0mm
D x 4



4mm
E x 1



Step 1

