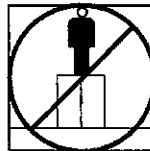
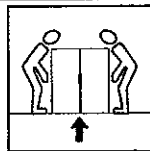
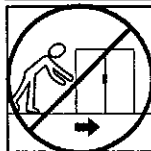
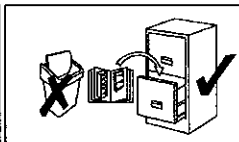
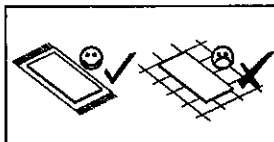
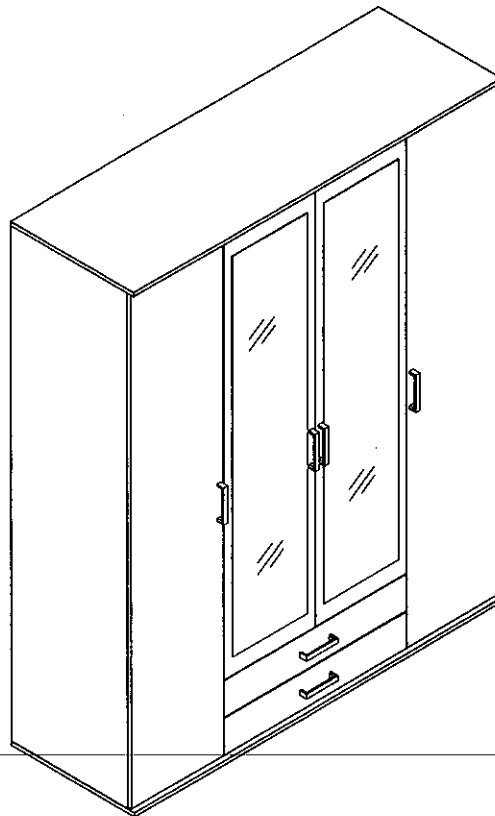
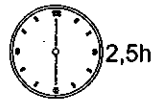
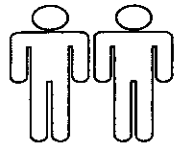
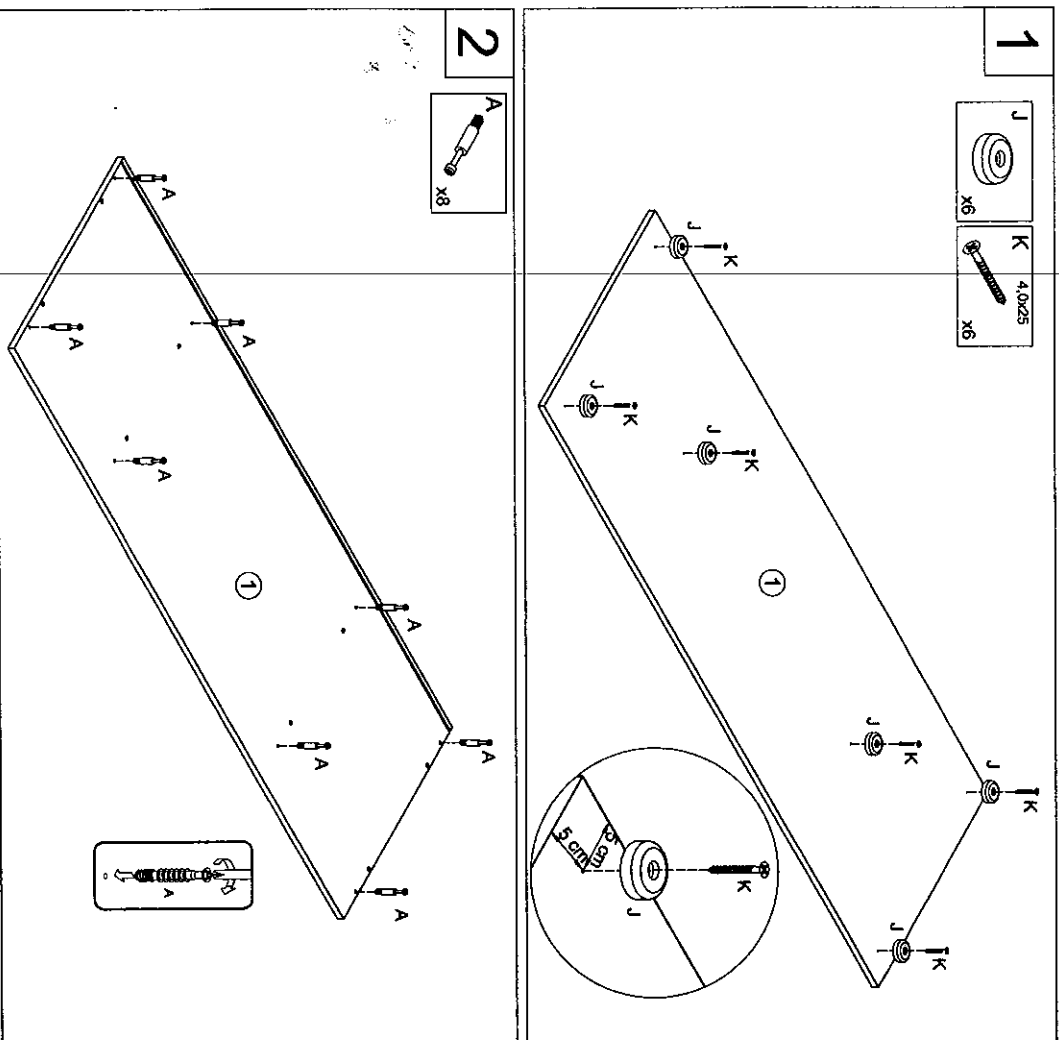
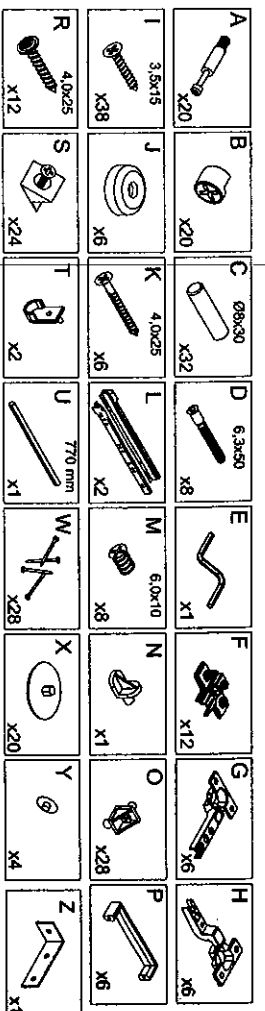
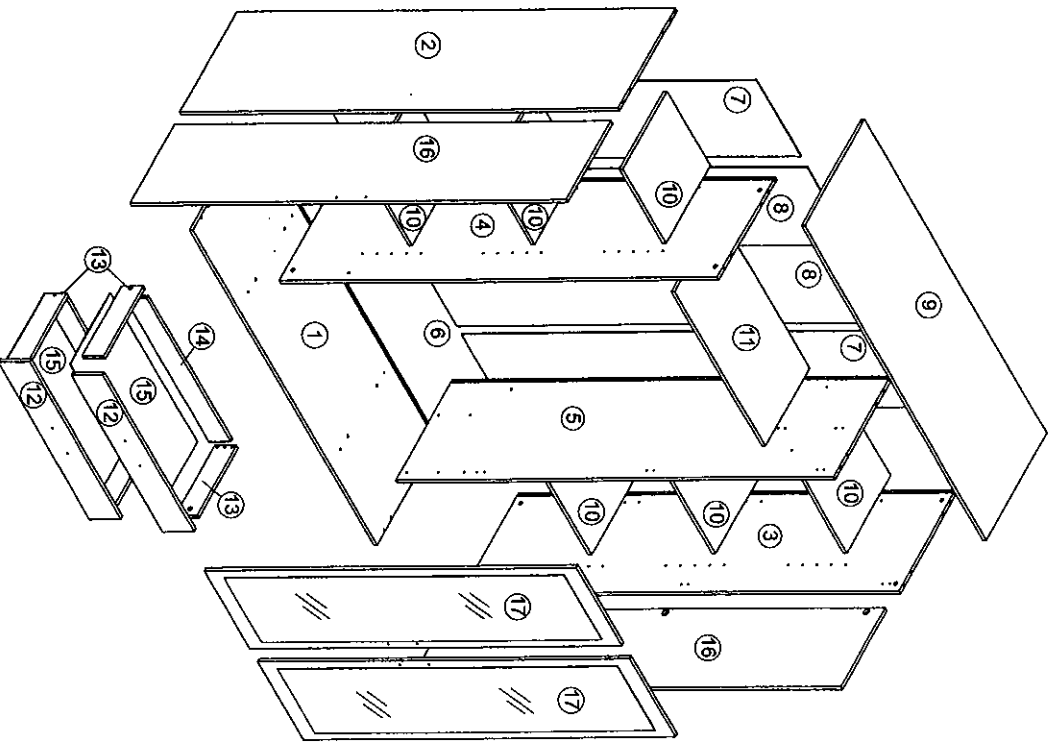


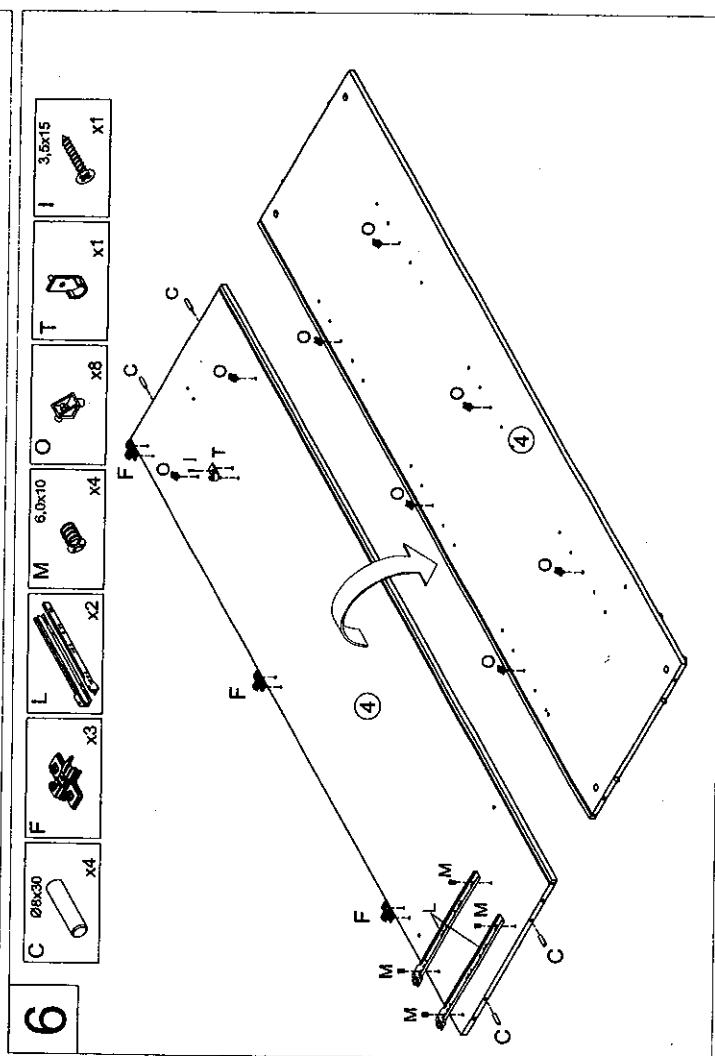
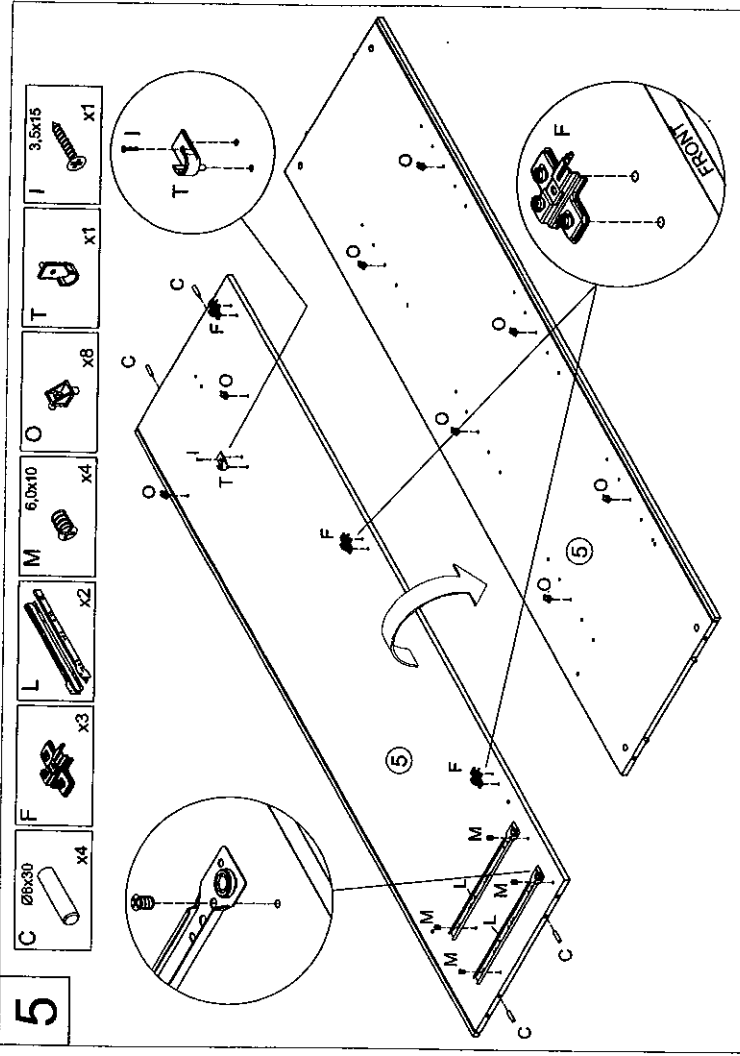
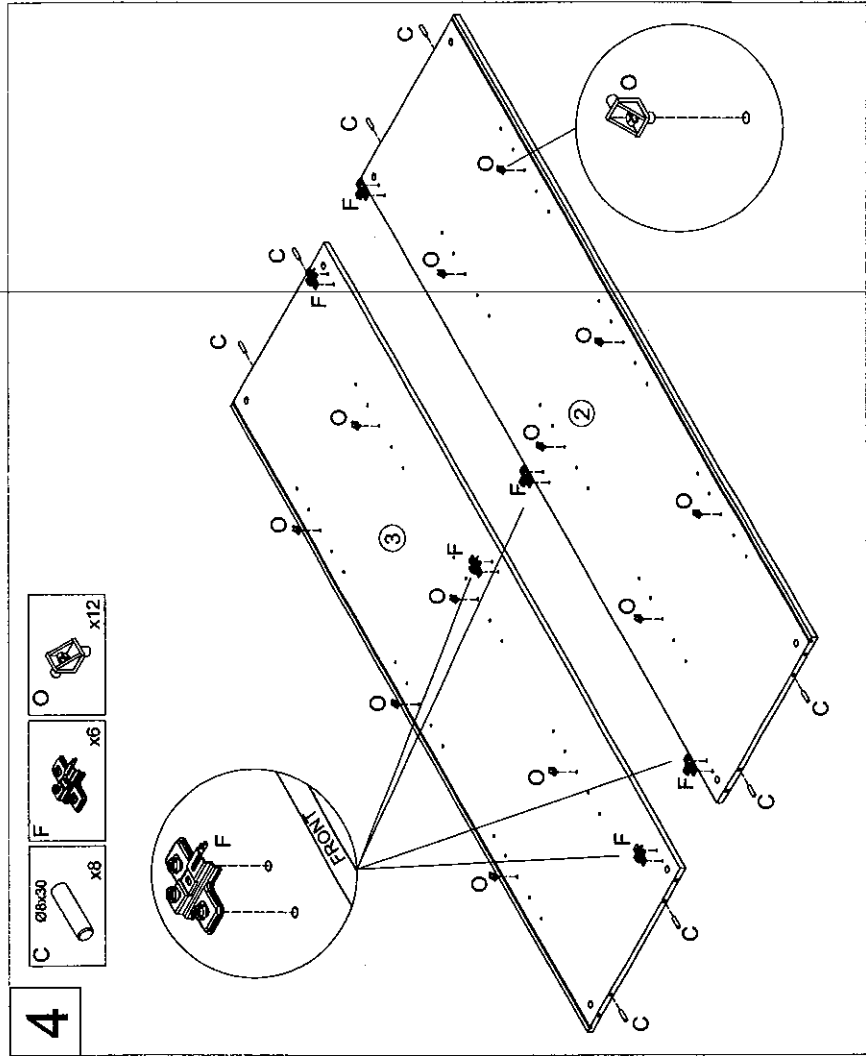
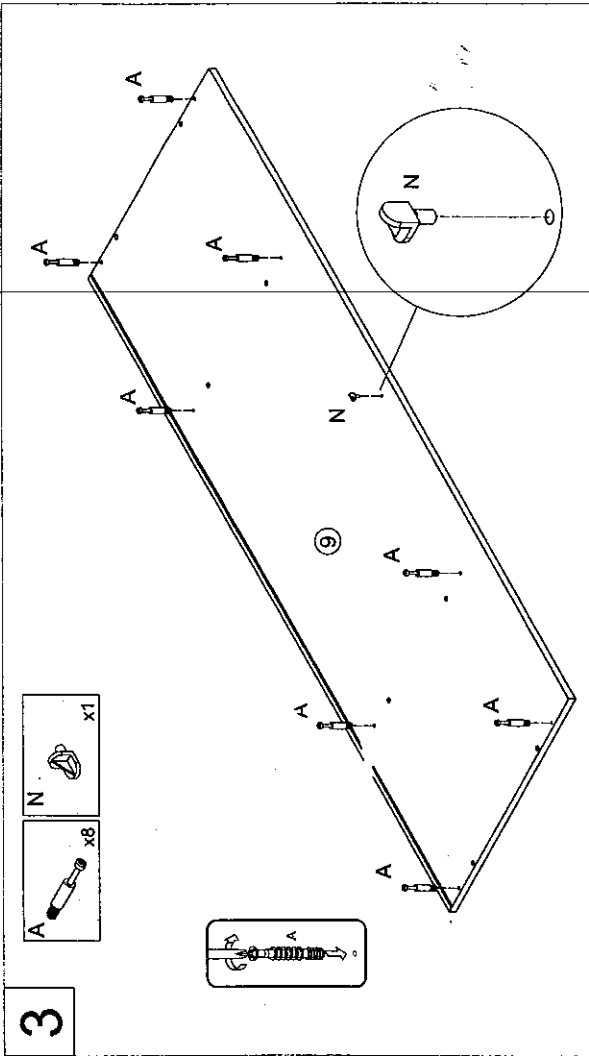
# CHICAGO Kleiderschrank 4- trg. 58-139-

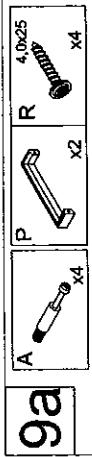


1	X1	ca. 1592 x 535 x 16	1/3
2	X1	ca. 1918 x 504 x 16	2/3
3	X1	ca. 1918 x 504 x 16	2/3
4	X1	ca. 1918 x 504 x 16	2/3
5	X1	ca. 1918 x 504 x 16	2/3
6	X1	ca. 779 x 489 x 16	1/3
7	X2	ca. 1927 x 385 x 3	3/3
8	X2	ca. 1927 x 393 x 3	3/3
9	X1	ca. 1592 x 535 x 16	1/3

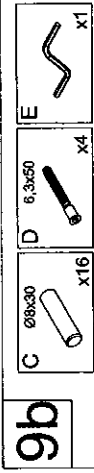
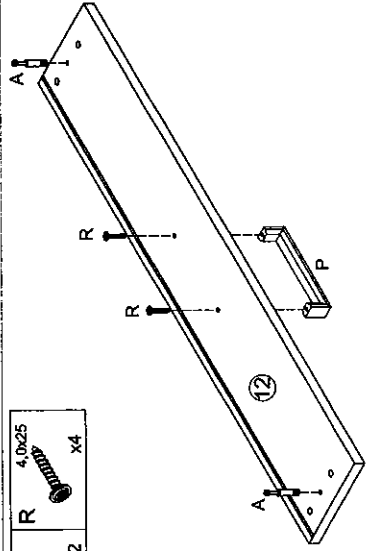
10	X6	ca. 375 x 390 x 16	1/3
11	X1	ca. 778 x 390 x 16	1/3
12	X2	ca. 792 x 137 x 16	1/3
13	X4	ca. 350 x 95 x 16	1/3
14	X2	ca. 724 x 95 x 16	1/3
15	X2	ca. 753 x 356 x 3	1/3
16	X2	ca. 1909 x 395 x 16	3/3
17	X2	ca. 1630 x 395 x 16	3/3



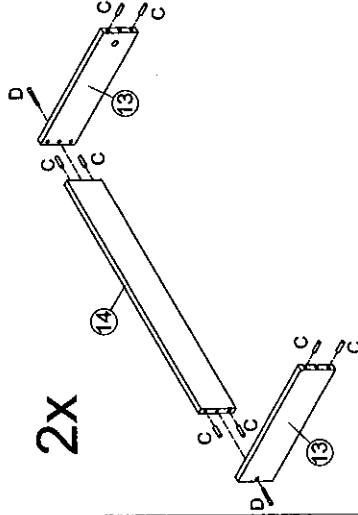




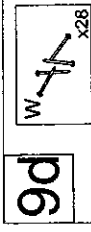
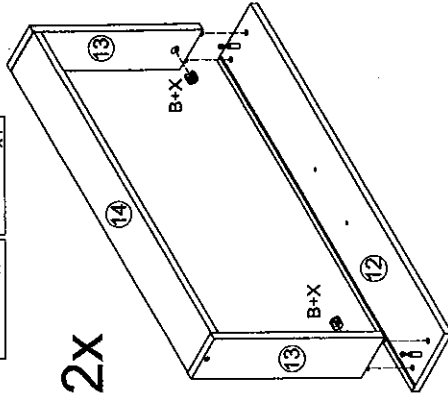
2x



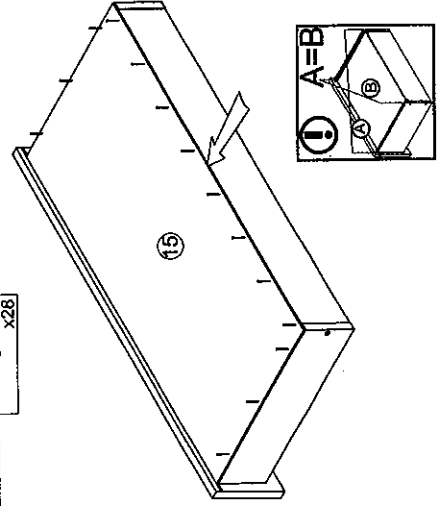
2x



2x

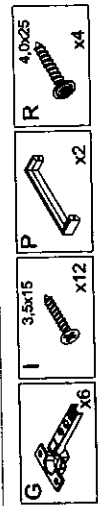
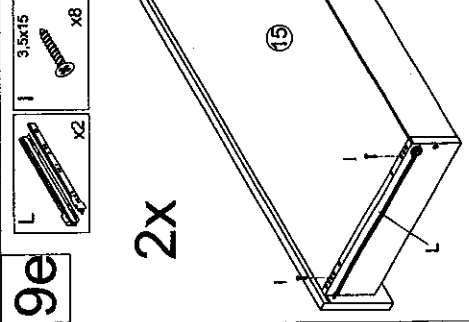


2x

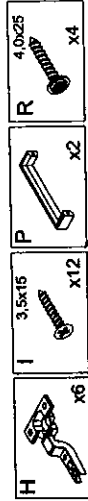
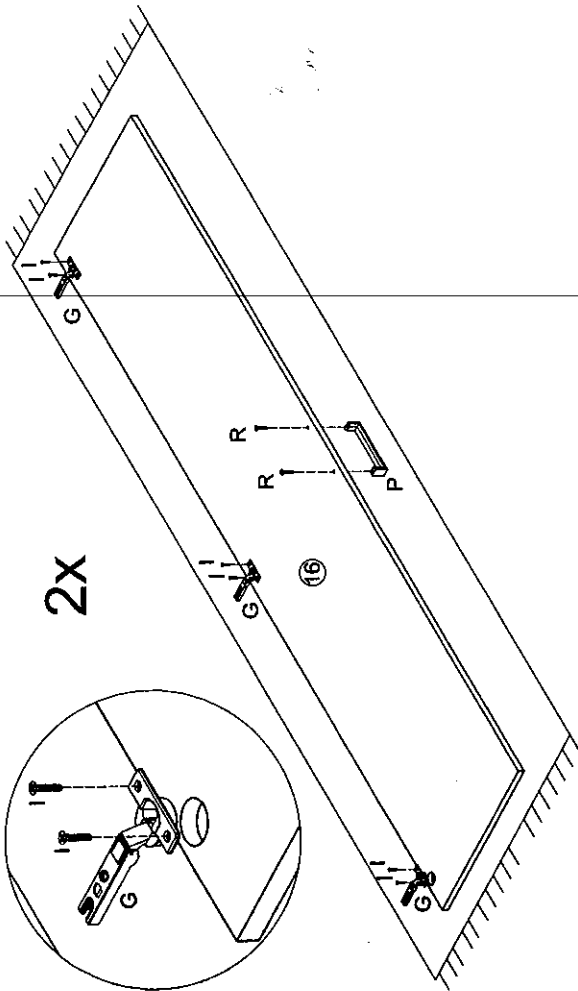


9e

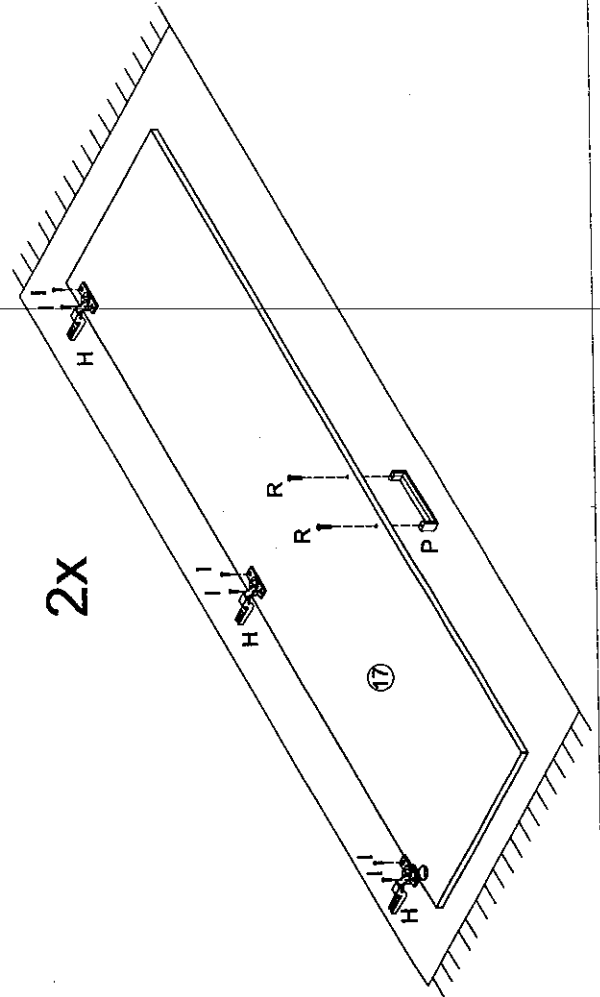
2x

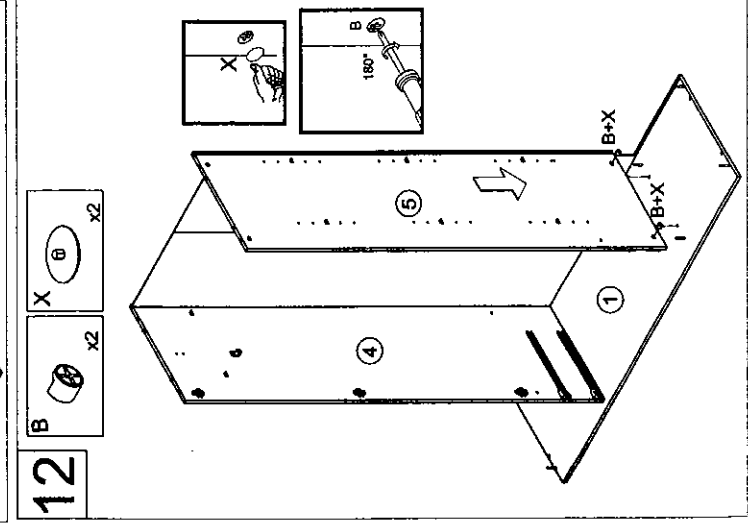
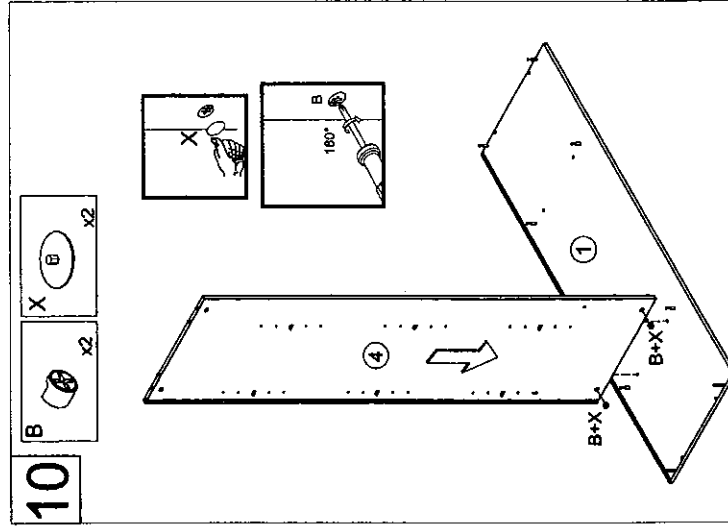
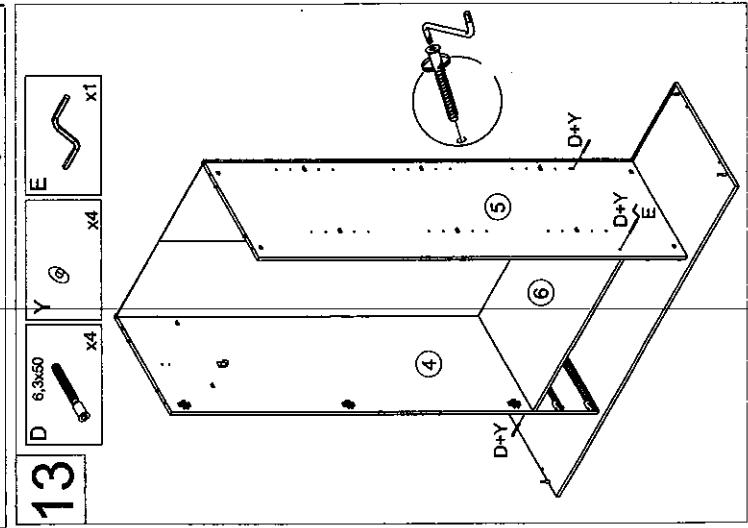
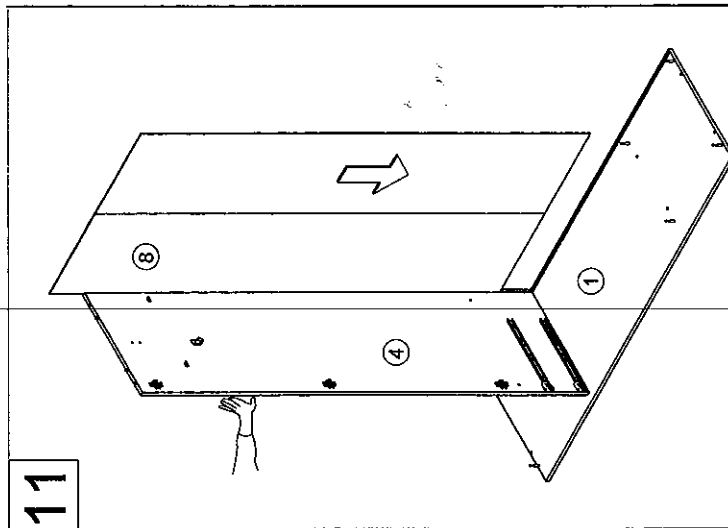
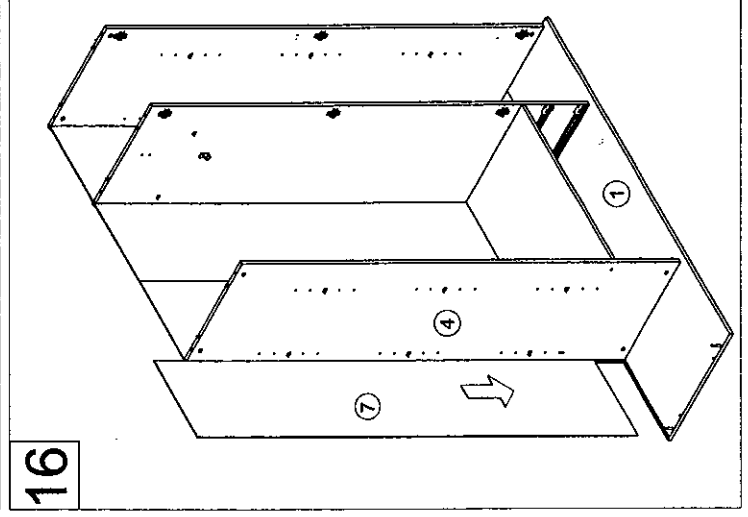
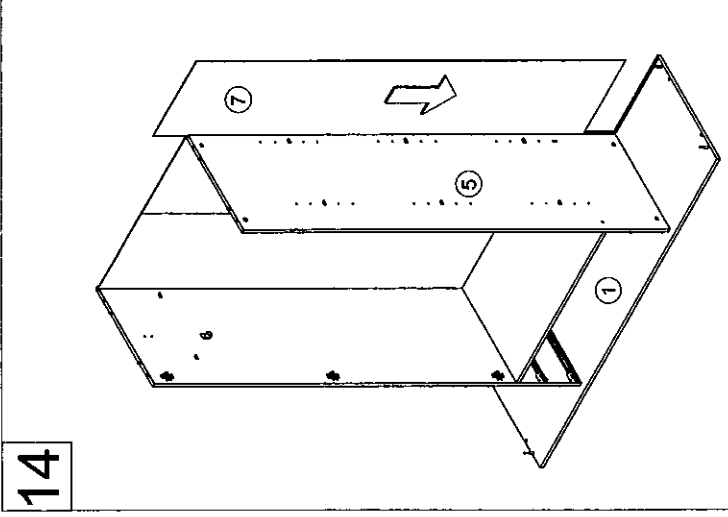
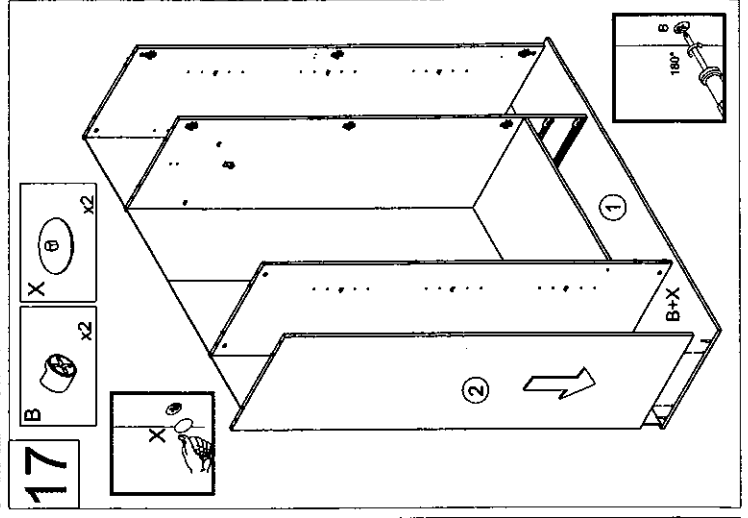
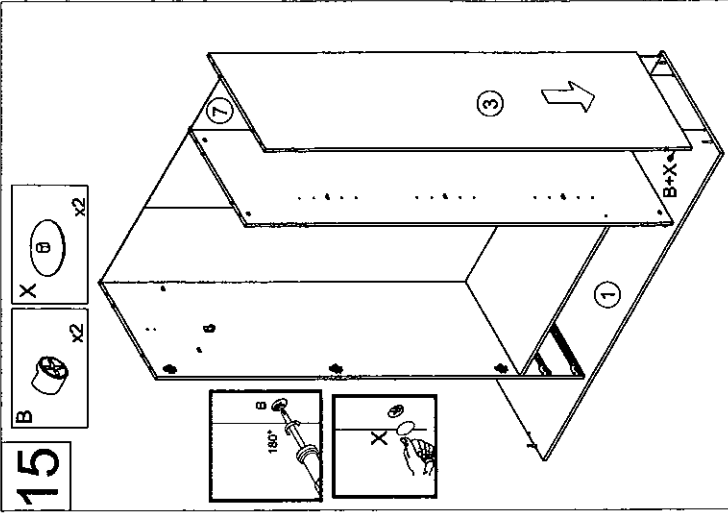


2x



2x



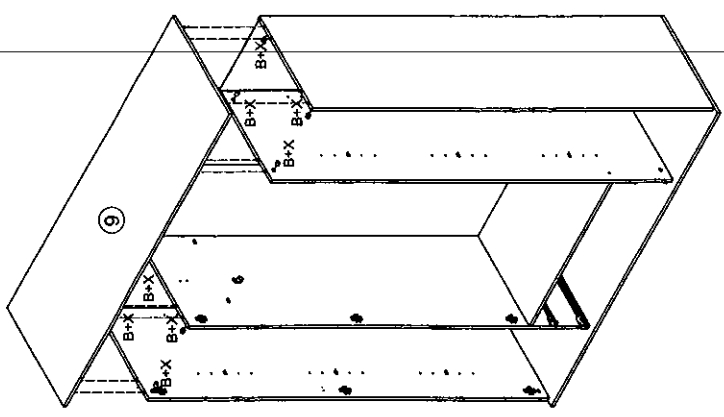
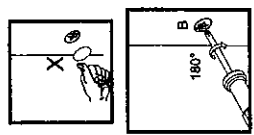


18

B x8

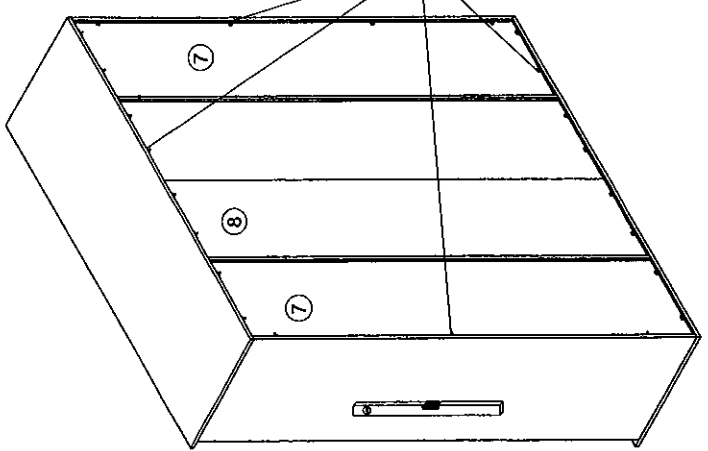
X x8

6 x8

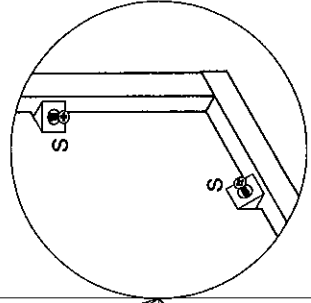


19

S x24

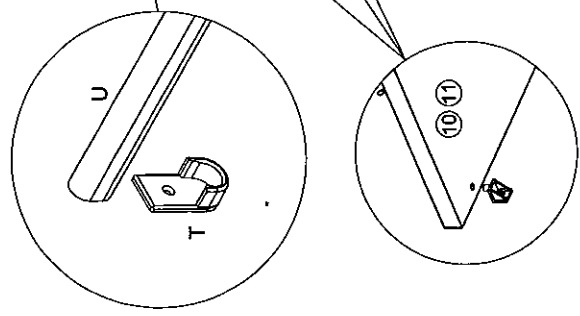


A=B



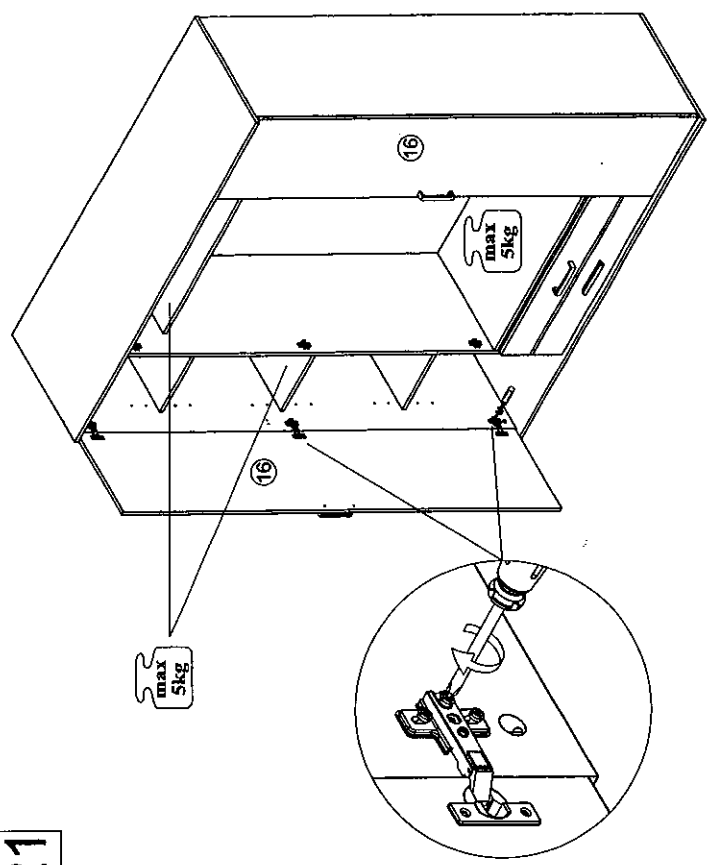
20

U 770 mm x1

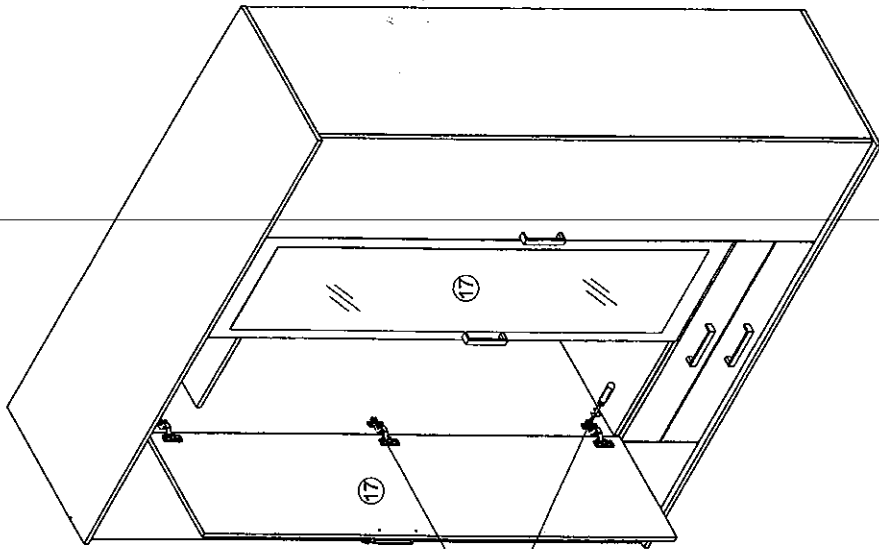


21

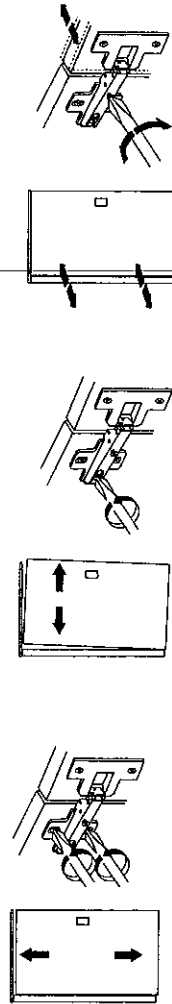
max 5kg



22



23



24

